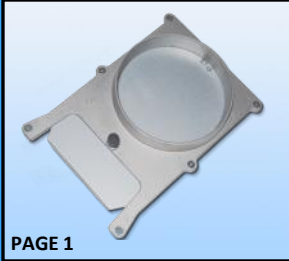


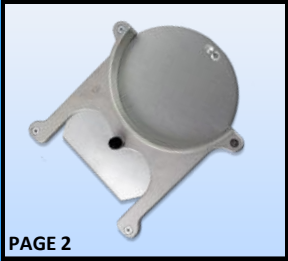
BLAST GATES

MANUAL BLAST GATES



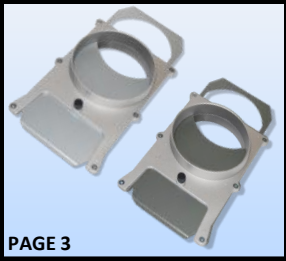
PAGE 1

DIE CAST ALUM.
FULL BLAST GATE



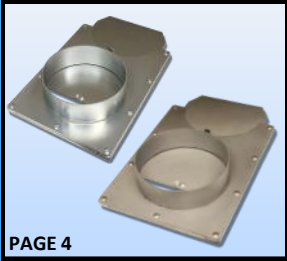
PAGE 2

DIE CAST ALUM.
HALF BLAST GATE



PAGE 3

DIE CAST ALUM. & STAINLESS
SELF-CLEANING BLAST GATE



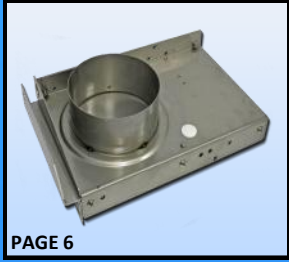
PAGE 4

GALV., 304 & 316
STAINLESS STEEL
FAB. BLAST GATE



PAGE 5

GALV. MANUAL W/
UHMW SEALS BLAST GATE



PAGE 6

STAINLESS STEEL MANUAL
W/ UHMW SEALS
BLAST GATE



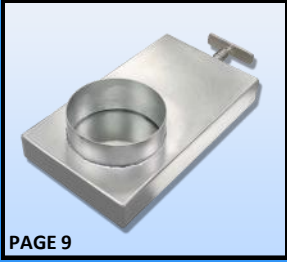
PAGE 7

CLAMP TOGETHER
CAST ALUM.
FULL BLAST GATE



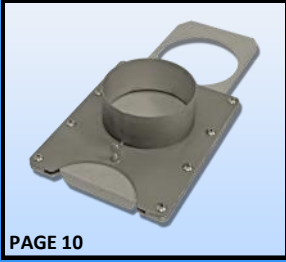
PAGE 8

CLAMP TOGETHER
STAINLESS STEEL
FULL BLAST GATE



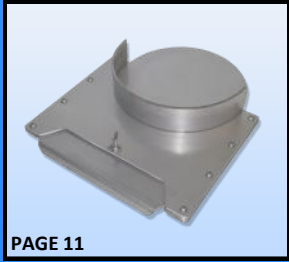
PAGE 9

OIL MIST VAPOR PROOF
SEALED BLAST GATE



PAGE 10

ALL STAINLESS STEEL
SELF-CLEANING BLAST GATE



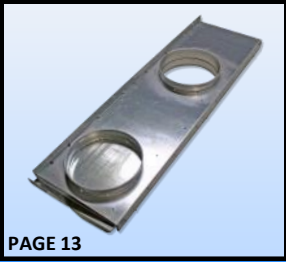
PAGE 11

FABRICATED
HALF BLAST GATE



PAGE 12

FABRICATED
CUSTOM
SQUARE BLAST GATE



PAGE 13

FABRICATED
CUSTOM BLAST GATE



PAGE 21

CLAMP TOGETHER
DUCT & FITTINGS

35%
OFF

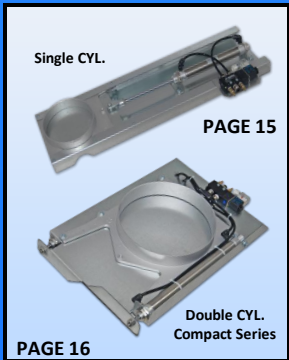


PAGE 22

ISOLATION DAMPERS &
ABORT GATES

ATEX
Certified!

AUTOMATIC BLAST GATES



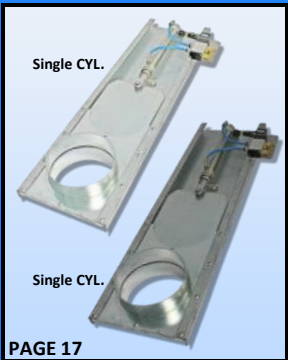
Single CYL.

PAGE 15

Double CYL.
Compact Series

PAGE 16

CAST ALUMINUM
SINGLE CYL.
&
DOUBLE CYL. COMPACT SERIES



Single CYL.

Single CYL.

PAGE 17

GALVANIZED
&
STAINLESS STEEL
SINGLE CYL.

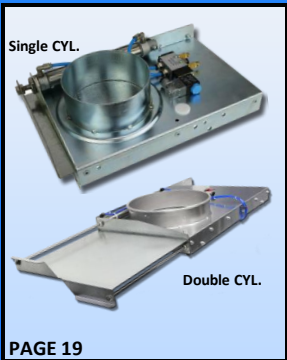


Double CYL.
Compact Series

Double CYL.
Compact Series

PAGE 18

GALVANIZED
&
STAINLESS STEEL
DOUBLE CYL.
COMPACT SERIES

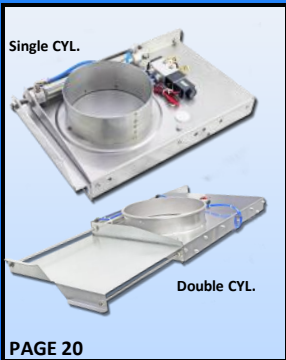


Single CYL.

Double CYL.

PAGE 19

GALV. W/ UHMW SEALS
SINGLE CYL.
&
DOUBLE CYL



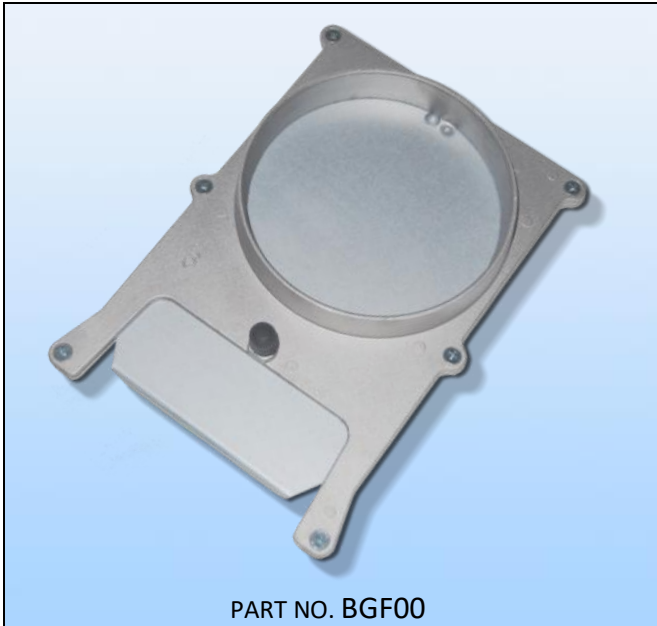
Single CYL.

Double CYL.

PAGE 20

S.S. W/ UHMW SEALS
SINGLE CYL.
&
DOUBLE CYL

Die Cast Aluminum



PART NO. BGF00

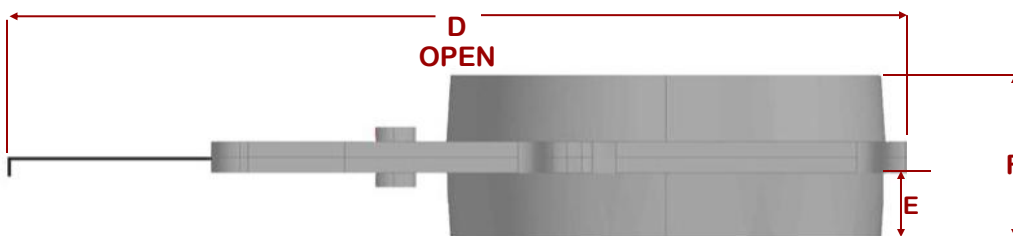
Die Cast Aluminum Full Blast Gate

- Used for wood, plastic, powder and other dusts in collector systems
- Economically designed. Locking screw included
- Connecting collars are undersized to allow slip-fit into nominal pipe or duct
- Bolt-together construction for ease of disassembly for cleaning
- Maximum temperature 400° F
- Available in sizes 2" to 30"

DIE CAST ALUMINUM FULL BLAST GATE

DIA	PART #	A O.D.	B	C	D	E	F	WT.	PRICE
2"	BGF02	2.32	3.63	4.50	5.88	0.75	1.94	0.4	\$13.94
3"	BGF03	2.82	4.01	5.64	7.00	0.75	1.91	0.7	\$16.48
4"	BGF04	3.87	5.00	6.86	9.12	0.75	1.87	1.0	\$16.62
5"	BGF05	4.76	6.00	8.00	11.75	0.88	2.16	1.4	\$22.50
6"	BGF06	5.82	7.00	9.99	14.38	0.88	2.13	2.0	\$28.09
7"	BGF07	6.81	8.00	11.25	15.62	1.05	2.50	2.7	\$35.60
8"	BGF08	7.85	9.62	12.62	18.12	1.53	3.50	4.4	\$47.27
9"	BGF09	8.88	10.62	13.60	20.38	1.33	3.17	5.4	\$67.07
10"	BGF10	9.83	11.37	14.37	22.12	1.50	3.70	6.2	\$90.88
11"	BGF11	10.88	12.37	15.37	25.38	1.44	3.44	7.4	\$99.08
12"	BGF12	11.80	13.25	16.25	26.75	1.49	3.66	8.0	\$99.08
14"	BGF14	13.84	15.79	18.96	30.12	1.88	4.39	11.8	\$176.57
16"	BGF16	15.88	17.90	21.28	34.88	1.84	4.40	15.1	\$204.79
18"	BGF18	17.80	20.23	32.81	40.38	3.11	7.04	30.0	\$384.85
20"	BGF20	19.78	22.37	34.24	45.00	3.16	7.22	37.0	\$425.92
22"	BGF22	21.72	24.60	34.11	47.25	3.12	7.10	45.0	\$526.75
24"	BGF24	23.68	26.64	34.38	51.88	3.15	7.22	55.0	\$558.68
26"	BGF26	25.75	28.56	36.75	57.90	3.02	7.10	59.5	\$918.08
28"	BGF28	27.56	31.00	39.75	65.21	3.18	7.20	70.5	\$1,064.72
30"	BGF30	29.56	33.19	42.50	66.74	3.06	7.15	77.2	\$1,254.73

PART NUMBER FOR STAINLESS STEEL SLIDE BLADE: BGF00SSS

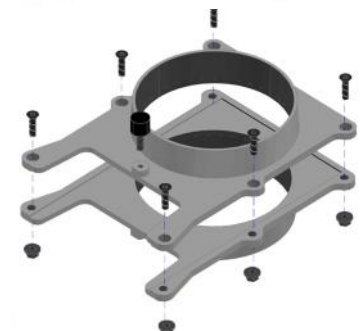
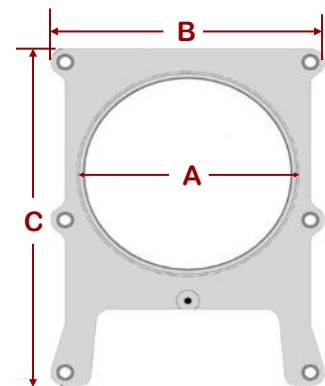


Hose to Gate Connector

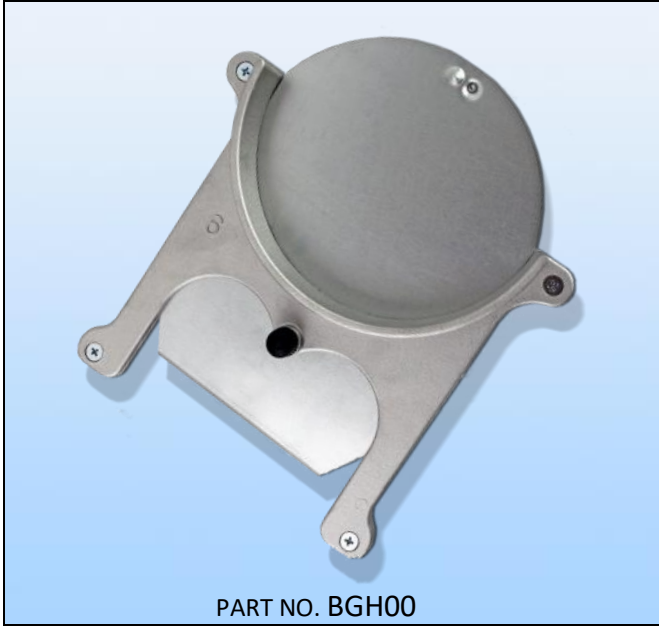


- Used to provide an extended external lip for hose connection to a blast gate or ball joint. Slip hose over tapered end

DIA	PART #	PRICE
3"	HGC03	\$5.53
4"	HGC04	\$5.68
5"	HGC05	\$5.97
6"	HGC06	\$6.31
7"	HGC07	\$6.89
8"	HGC08	\$7.77
10"	HGC10	\$11.54
12"	HGC12	\$13.65



Die Cast Aluminum



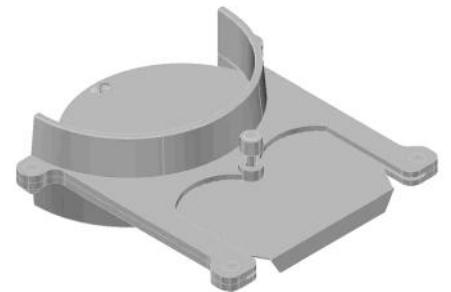
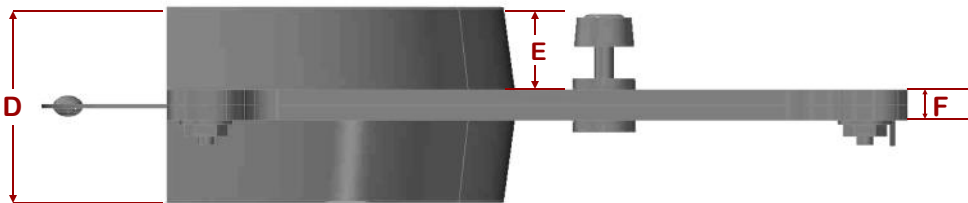
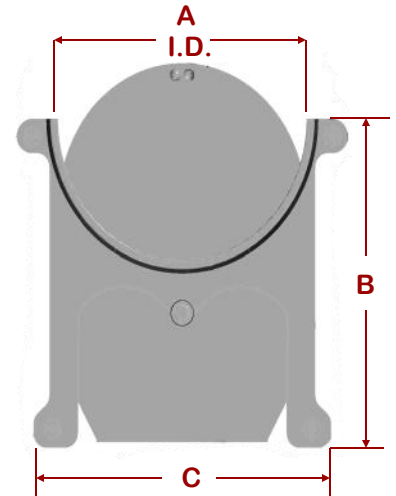
PART NO. BGH00

Die Cast Aluminum Half Blast Gate

- Designed for use with existing duct systems
- Galvanized steel slide w/ locking screw
- Simply cut a 3/8 inch slot halfway through pipe for blade insertion
- Commonly used for air balancing as well as a cut-off damper
- Maximum temperature 400° F
- Available in sizes 3" to 20"

DIE CAST ALUMINUM HALF BLAST GATE

DIA	PART #	A I.D.	B	C	D	E	F	BLADE GA.	WT.	PRICE
3"	BGH03	3.06	4.04	4.22	2.24	1.15	0.40	18	0.6	\$20.05
4"	BGH04	4.06	4.65	5.30	2.46	1.31	0.40	18	1.0	\$22.67
5"	BGH05	5.06	4.34	6.04	2.52	1.07	0.40	18	1.2	\$28.88
6"	BGH06	6.06	6.94	7.13	2.58	1.09	0.40	18	1.6	\$31.37
7"	BGH07	7.06	7.56	8.24	2.32	0.96	0.40	18	2.0	\$45.09
8"	BGH08	8.60	7.75	9.26	2.58	1.05	0.48	18	2.6	\$46.57
9"	BGH09	9.06	8.63	11.26	2.74	1.13	0.48	18	3.2	\$63.67
10"	BGH10	10.60	8.94	11.94	2.75	1.17	0.48	18	3.8	\$72.94
12"	BGH12	12.06	9.94	13.32	3.06	1.29	0.48	18	4.6	\$95.83
14"	BGH14	14.06	11.38	16.31	4.20	1.80	0.60	18	7.8	\$136.90
16"	BGH16	16.06	12.31	18.25	4.14	1.80	0.62	18	9.4	\$184.72
18"	BGH18	18.06	23.25	21.00	4.56	1.97	0.62	14	16.4	\$433.19
20"	BGH20	19.06	25.94	23.38	4.78	2.08	0.07	14	25.8	\$483.85



Die Cast Aluminum



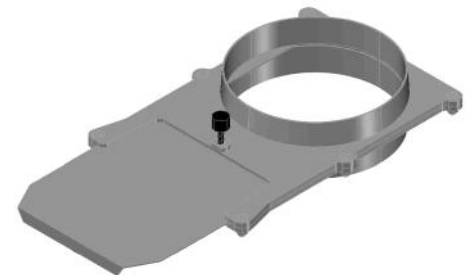
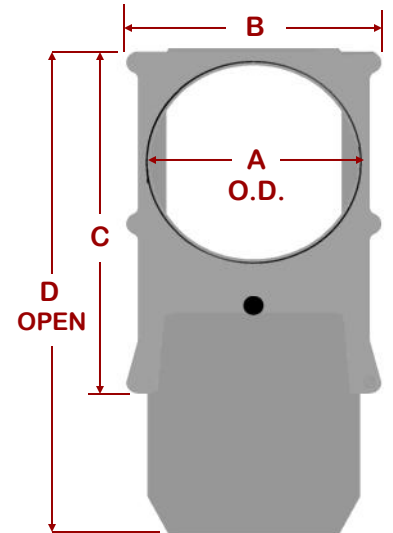
Self Cleaning with Galvanized or Stainless Steel Side Blade

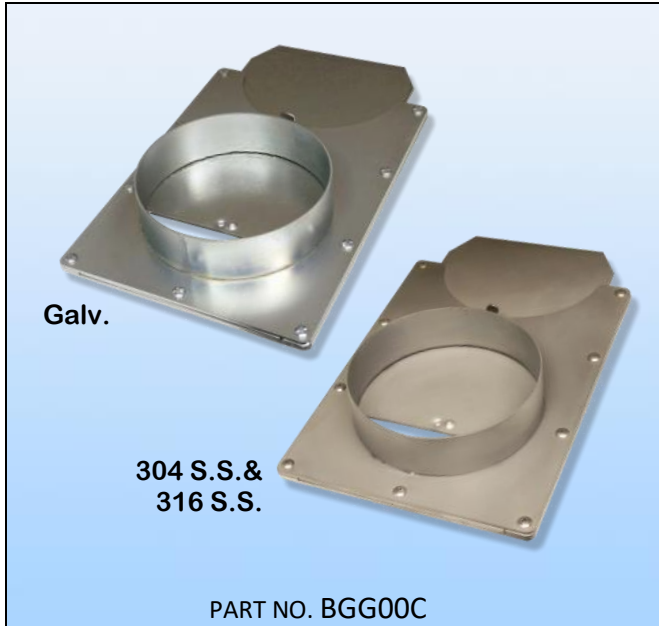
- Cast aluminum body with galvanized slide blade or 304 stainless steel slide blade. Please specify
- A stainless steel side blade is used when added corrosion protection is required beyond standard galvanized slide blade
- Slide blade designed to move through end of body to push out debris in the slide track
- Ideal for use with wood pulp and other sticky material

SELF CLEANING W/ GALVANIZED SIDE BLADE

DIA	PART #	A O.D.	B	C	D	E	F	G	WT.	GALV. PRICE	S.S. PRICE
2"	BGSK02	2.32	3.69	4.56	6.25	2.41	0.78	1.91	0.5	\$19.69	N/A
3"	BGSK03	2.82	4.02	5.63	7.38	2.94	0.75	1.91	0.8	\$20.85	\$28.09
4"	BGSK04	3.87	5.00	5.86	9.56	3.85	0.75	1.87	1.0	\$30.03	\$36.33
5"	BGSK05	4.76	6.00	8.00	11.81	4.59	0.88	2.16	2.0	\$33.89	\$51.49
6"	BGSK06	5.82	7.00	9.97	14.20	6.08	0.88	2.13	3.0	\$41.57	\$67.34
7"	BGSK07	6.81	8.00	11.25	16.56	6.86	1.05	2.51	3.4	\$57.71	\$92.19
8"	BGSK08	7.85	9.63	12.63	18.88	8.18	1.53	3.50	4.8	\$66.55	\$122.61
9"	BGSK09	8.88	10.63	13.60	20.43	8.65	1.33	3.17	5.8	\$104.65	\$168.48
10"	BGSK10	9.83	11.38	14.38	22.69	10.09	1.50	3.70	7.2	\$111.02	\$184.99
12"	BGSK12	11.80	13.25	16.25	27.44	13.05	1.50	3.66	11.2	\$121.19	\$263.80

ADD "SSS" TO PART NUMBER FOR STAINLESS STEEL SLIDE BLADE (EX. BGSK02SSS)



All Galvanized, Stainless Steel

All Galv., 304 or 316 S.S. Blast Gates

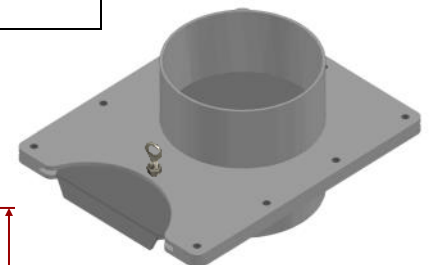
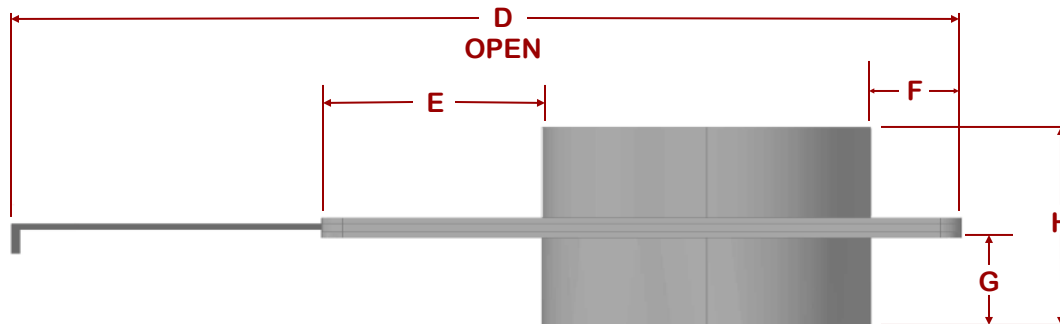
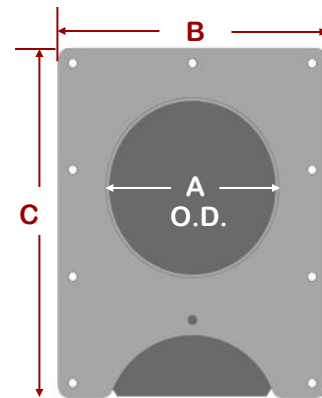
- Available in all galvanized steel, stainless steel 304 or 316 construction. Cold rolled steel available but not a stock item
- Heavy duty 12 ga. body, 12 ga. blade
- Galv. collars 1/8" undersized to "slip fit" into nominal pipe diameters
- Stainless steel collars 1/8" undersized to fit inside nominal size pipe "Slip Fit"
- Bolt together body to allow disassembly for cleaning
- Angle ring connection available at additional cost
- Larger sizes up to 30" available. Call for pricing

GALVANIZED, 304, or 316 STAINLESS STEEL FABRICATED BLAST GATES

DIA	PART #	A O.D.	B	C	D	E	F	G	H	WT.	GALV. PRICE	304 S.S. PRICE	316 S.S. PRICE
2"	BGG02C	1.88	4.00	4.50	5.88	1.88	0.88	1.00	2.38	2.3	\$181.95	\$247.23	\$293.51
3"	BGG03C	2.88	5.00	6.00	9.19	2.00	1.00	1.25	4.45	2.6	\$186.72	\$250.04	\$310.84
4"	BGG04C	3.88	6.00	7.50	11.19	2.50	1.00	1.50	4.19	3.8	\$191.97	\$269.17	\$341.82
5"	BGG05C	4.88	7.00	9.50	14.12	3.50	1.12	1.50	4.42	5.2	\$197.90	\$281.86	\$375.11
6"	BGG06C	5.88	7.94	11.00	16.69	4.00	1.12	1.50	4.43	6.4	\$226.33	\$281.86	\$434.12
7"	BGG07C	6.88	9.38	12.50	19.56	4.50	1.12	1.50	4.45	8.0	\$233.84	\$359.72	\$460.16
8"	BGG08C	7.88	10.44	13.50	20.44	4.50	1.12	2.00	4.45	9.6	\$270.64	\$383.16	\$554.06
9"	BGG09C	8.88	11.63	16.00	22.62	5.68	1.44	2.00	4.45	11.5	\$295.63	\$408.51	\$632.50
10"	BGG10C	9.88	12.00	17.00	26.62	6.00	1.12	2.00	5.21	13.4	\$326.18	\$508.40	\$861.11
12"	BGG12C	11.88	14.44	20.25	31.94	7.25	1.12	2.00	4.13	15.4	\$490.59	\$689.07	\$1,008.68
14"	BGG14C	13.88	16.00	23.25	36.87	8.50	1.12	2.00	5.13	22.8	\$568.73	\$826.94	\$1,198.43
16"	BGG16C	15.88	18.00	26.50	42.18	9.50	1.00	2.00	5.31	29.0	\$707.84	\$1,234.65	\$1,790.45
18"	BGG18C	17.88	20.00	29.13	50.95	10.00	1.00	2.00	5.13	34.2	\$1084.86	\$1,322.19	\$3,080.03

*COLLARS ARE ALL UNDERSIZED FOR SLIP FIT CONNECTION - EXAMPLE: 2" = 1.88 O.D.

304 SS PART NUMBER BGSS02C304 316 SS PART NUMBER BGSS02C316



Galvanized w/ UHMW Seals

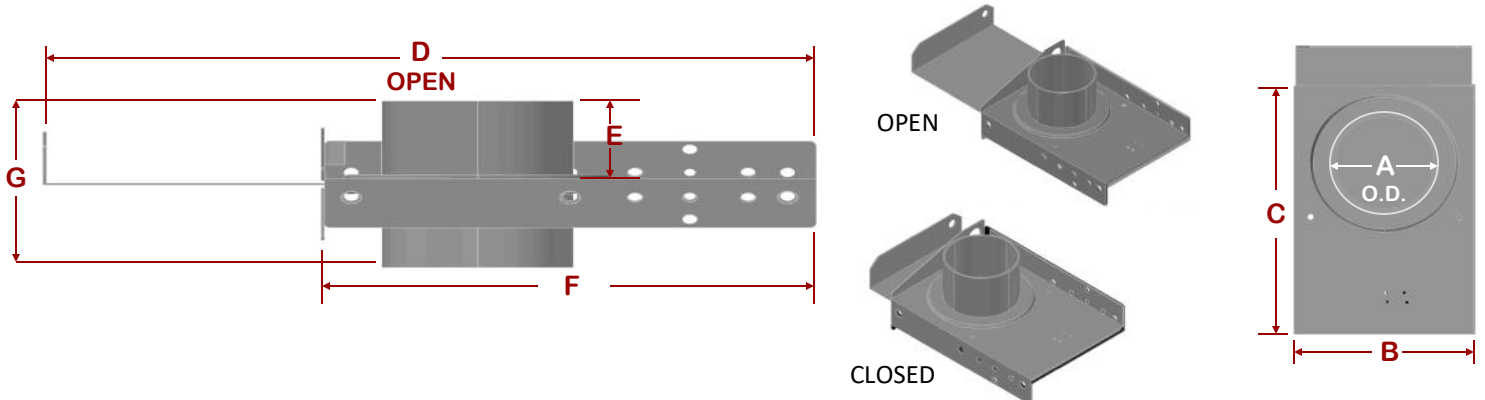


Galvanized with UHMW Seals

- Used for particulate and fumes/vapors
- UHMW (Ultra High Molecular Weight) seals for very low leakage in negative pressure (suction) systems
- Collars are standard O.D. plain ends or flanged ends available
- Self cleaning design
- Neoprene spring washer on sizes 2" - 8" for added pressure seal. Sizes 10" - 24" have UHMW seals only.

GALVANIZED W/UHMW SEALS

DIA	PART #	A O.D.	B	C	D	E	F	G	BLADE GA.	COLLAR GA.	BODY GA.	WT.	PRICE GALV.
2"	BGASM02	2.00	6.38	9.75	12.75	2.53	8.75	6.23	14	18	16	4.6	\$391.84
3"	BGASM03	3.00	6.00	9.68	12.75	2.44	10.32	5.87	14	18	16	4.8	\$410.43
4"	BGASM04	4.00	7.00	11.32	15.31	2.44	10.32	5.84	14	18	16	6.2	\$410.43
5"	BGASM05	5.00	7.94	11.38	18.31	2.44	12.32	5.85	14	16	16	7.8	\$433.68
6"	BGASM06	6.00	8.94	15.32	21.25	2.44	14.25	5.94	14	16	16	9.4	\$445.63
7"	BGASM07	7.00	10.88	19.94	27.13	2.84	18.13	5.94	14	16	16	15.0	\$478.43
8"	BGASM08	8.00	10.88	19.94	21.25	2.68	18.13	6.07	14	16	16	14.0	\$494.64
9"	BGASM09	9.00	14.63	23.68	27.13	2.84	20.13	6.07	14	16	14	28.0	\$525.33
10"	BGASM10	10.00	14.63	23.67	33.42	2.68	22.13	5.80	14	16	14	27.0	\$586.43
12"	BGASM12	12.00	16.56	28.19	40.18	2.63	27.18	5.79	11	16	14	35.8	\$607.41
14"	BGASM14	13.88	18.00	33.49	47.49	2.59	32.50	6.06	14	14	14	41.8	\$908.77
16"	BGASM16	15.88	20.00	37.50	53.50	2.59	36.50	6.06	14	14	14	47.8	\$946.58
18"	BGASM18	17.88	22.00	42.19	60.19	2.59	42.50	6.06	12	12	12	53.8	\$1,077.39
20"	BGASM20	19.88	24.00	45.13	65.03	2.59	44.50	6.06	12	12	12	59.5	\$1,633.12
22"	BGASM22	21.88	26.00	49.29	71.29	2.59	48.50	6.06	12	12	12	65.8	\$1,807.68
24"	BGASM24	23.88	28.00	53.13	77.13	2.59	52.50	6.06	12	12	12	71.5	\$1,883.55



Stainless Steel w/ UHMW Seals

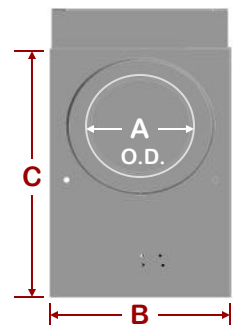
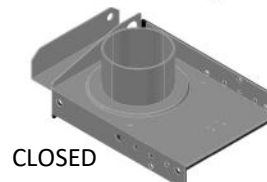
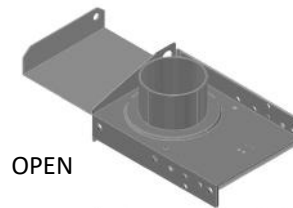
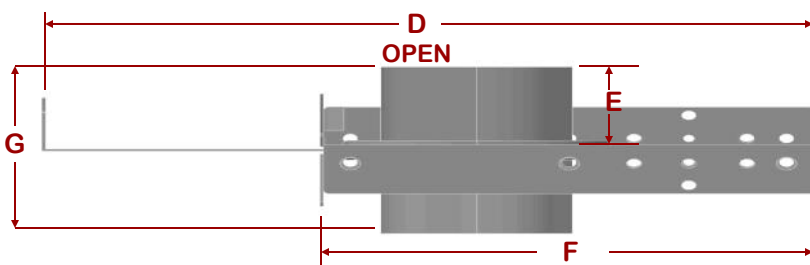


Stainless Steel with UHMW Seals

- Used for particulate and fumes/vapors
- UHMW (Ultra High Molecular Weight) seals for very low leakage in negative pressure (suction) systems
- Collars are standard O.D. plain ends, rolled ends or flanged ends available
- Self cleaning design
- Neoprene spring washer on sizes 2" - 8" for added pressure seal. Sizes 10" - 24" have UHMW seals only

STAINLESS STEEL W/UHMW SEALS

DIA	PART #	A O.D.	B	C	D	E	F	G	BLADE SS	COLLAR SS	BODY SS	WT. SS	PRICE SS
2"	BGASM02SS	2.00	6.38	9.75	12.75	2.53	8.75	6.23	14	18	16	4.6	\$562.12
3"	BGASM03SS	3.00	6.00	9.68	12.75	2.44	10.32	5.87	14	18	16	4.8	\$703.71
4"	BGASM04SS	4.00	7.00	11.32	15.31	2.44	10.32	5.84	14	18	16	6.2	\$703.71
5"	BGASM05SS	5.00	7.94	11.38	18.31	2.44	12.32	5.85	14	16	16	7.8	\$744.08
6"	BGASM06SS	6.00	8.94	15.32	21.25	2.44	14.25	5.94	14	16	16	9.4	\$764.27
7"	BGASM07SS	7.00	10.88	19.94	27.13	2.84	18.13	5.94	14	16	16	15.0	\$820.32
8"	BGASM08SS	8.00	10.88	19.94	21.25	2.68	18.13	6.07	14	16	16	14.0	\$848.48
9"	BGASM09SS	9.00	14.63	23.68	27.13	2.84	20.13	6.07	14	16	14	28.0	\$900.82
10"	BGASM10SS	10.00	14.63	23.67	33.42	2.68	22.13	5.80	14	16	14	27.0	\$1,005.35
12"	BGASM12SS	12.00	16.56	28.19	40.18	2.63	27.18	5.79	11	16	14	35.8	\$1,041.48
14"	BGASM14SS	13.88	18.00	33.49	47.49	2.59	32.50	6.06	14	14	14	41.8	\$1,069.77
16"	BGASM16SS	15.88	20.00	37.50	53.50	2.59	36.50	6.06	14	14	14	47.8	\$1,122.38
18"	BGASM18SS	17.88	22.00	42.19	60.19	2.59	42.50	6.06	12	12	12	53.8	\$1,593.90
20"	BGASM20SS	19.88	24.00	45.13	65.03	2.59	44.50	6.06	12	12	12	59.8	\$2,337.72
22"	BGASM22SS	21.88	26.00	49.29	71.29	2.59	48.50	6.06	12	12	12	65.8	\$2,975.28
24"	BGASM24SS	23.88	28.00	53.13	77.13	2.59	52.50	6.06	12	12	12	71.5	\$3,227.65



Die Cast Aluminum



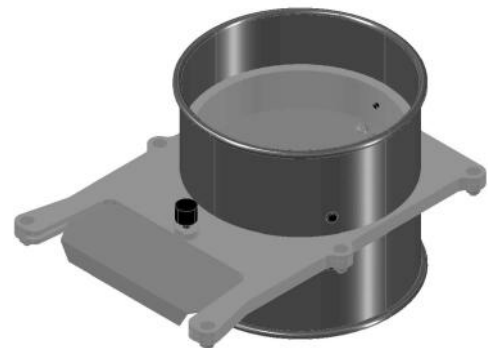
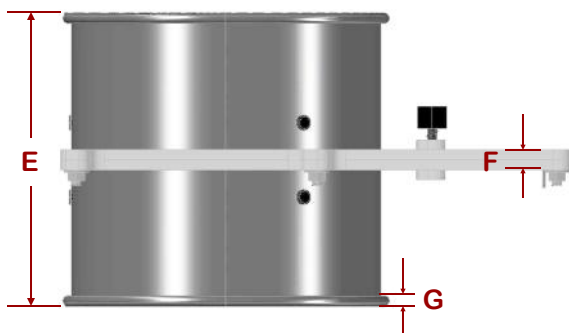
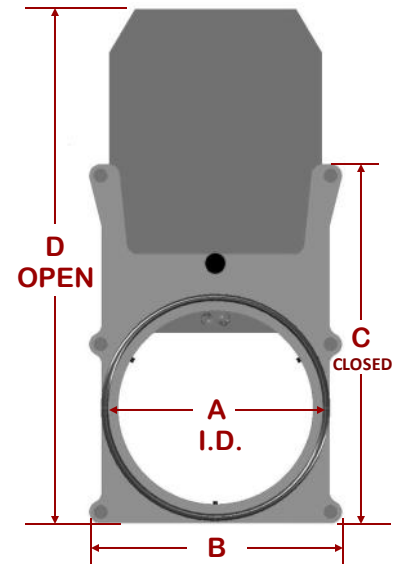
PART NO. BGFRE00

Clamp Together Full Blast Gate

- Die cast aluminum body with galvanized blade
- Rolled end collars to fit clamp-together ducts and fittings
- Locking screw provided for adjustment for air balancing or full open & close
- Bolt together construction to allow easy disassembly for cleaning
- Call for information and pricing on sizes 26" - 30"

DIE CAST ALUMINUM CLAMP-TOGETHER FULL BLASTGATE

DIA	PART #	A I.D.	B	C	D	E	F	G	BLADE GA.	WT.	35% OFF PRICE
3"	BGFRE03	3.00	4.01	5.61	7.04	6.18	0.41	0.18	18	1.4	\$39.19
4"	BGFRE04	4.00	5.00	6.86	9.45	5.66	0.38	0.23	18	1.8	\$39.19
5"	BGFRE05	5.00	6.00	8.00	11.63	5.17	0.41	0.21	18	2.4	\$40.64
6"	BGFRE06	6.00	7.00	10.00	14.32	5.70	0.38	0.21	18	3.4	\$53.42
7"	BGFRE07	7.00	8.00	11.25	15.74	5.06	0.41	0.22	18	4.4	\$63.23
8"	BGFRE08	8.00	9.63	12.63	18.50	5.82	0.44	0.25	18	5.6	\$74.82
9"	BGFRE09	9.00	10.62	13.60	20.09	5.33	0.51	0.24	18	7.6	\$103.56
10"	BGFRE10	10.00	11.38	14.38	21.95	5.99	0.70	0.26	18	8.4	\$131.62
11"	BGFRE11	11.00	12.31	15.38	25.07	5.42	0.52	0.24	18	7.4	N/A
12"	BGFRE12	12.00	13.25	16.25	26.81	6.06	0.66	0.27	18	10.4	\$170.86
14"	BGFRE14	14.00	15.76	18.97	29.87	6.26	0.64	0.32	18	14.2	\$253.01
16"	BGFRE16	16.00	17.90	21.28	34.65	5.97	0.70	0.26	16	18.4	\$368.16
18"	BGFRE18	18.00	20.23	32.82	40.00	9.04	0.82	0.33	12	22.4	\$467.76
20"	BGFRE20	20.00	22.37	34.25	43.20	9.16	0.80	0.33	12	26.4	\$579.54
22"	BGFRE22	22.00	24.60	34.21	45.76	9.11	0.85	0.33	12	30.0	\$632.83
24"	BGFRE24	24.00	26.65	34.38	50.97	9.15	0.85	0.34	12	34.4	\$747.61



304 Stainless Steel



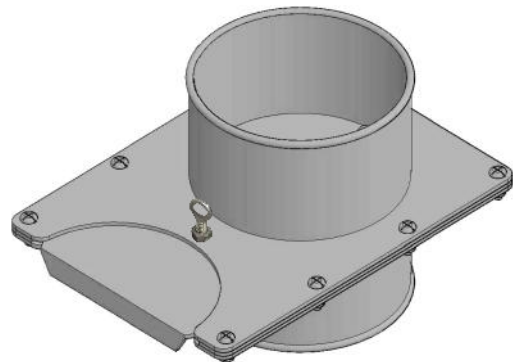
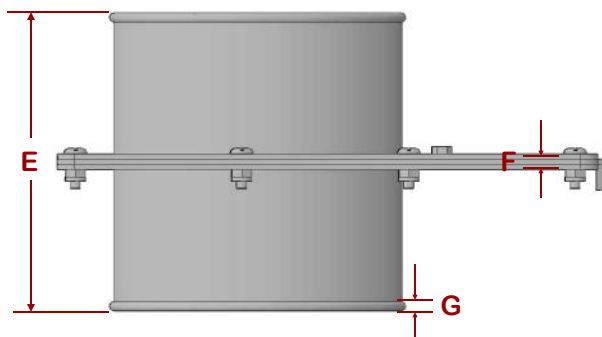
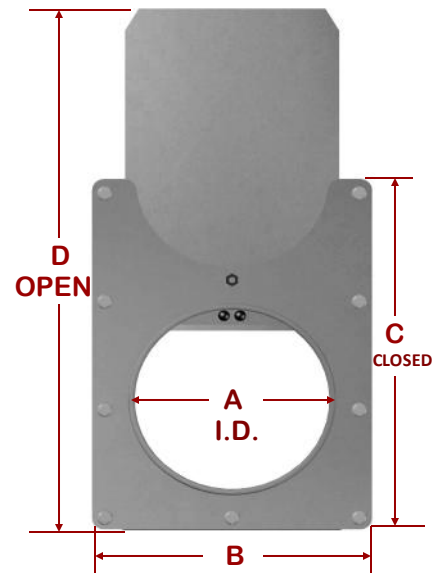
PART NO. BGRE00SS

Clamp Together Full Blast Gate

- All 304 stainless steel construction
- Rolled end collars to fit clamp-together ducts and fittings
- Locking screw provided for adjustment for air balancing or full open & close
- Bolt together construction to allow easy disassembly for cleaning
- Call for information and pricing on sizes 26" - 30"
- Available in 316 stainless steel. Please call for pricing
- Heavy duty 12 ga. body, 12 ga. blade

304 STAINLESS STEEL CLAMP-TOGETHER FULL BLASTGATE

DIA	PART #	A I.D.	B	C	D	E	F	G	BLADE GA.	WT.	35% OFF PRICE
3"	BGRE03SS	2.95	5.00	6.56	9.19	6.59	0.4	0.19	12	2.8	\$155.42
4"	BGRE04SS	3.95	6.00	7.56	11.16	5.85	0.4	0.24	12	4.2	\$155.42
5"	BGRE05SS	4.95	7.00	9.50	14.12	5.85	0.4	0.22	12	6.0	\$182.33
6"	BGRE06SS	5.95	7.94	11.00	16.69	5.64	0.4	0.21	12	7.4	\$247.57
7"	BGRE07SS	6.95	9.38	12.50	19.56	5.15	0.4	0.22	12	9.4	\$263.39
8"	BGRE08SS	7.95	10.44	13.94	20.44	5.78	0.4	0.24	12	11.4	\$339.18
9"	BGRE09SS	8.95	11.63	15.19	22.62	5.21	0.4	0.24	12	12.2	\$366.17
10"	BGRE10SS	9.95	12.00	17.00	26.62	5.57	0.4	0.26	12	14.2	\$366.17
11"	BGRE11SS	10.95	13.00	19.00	25.07	5.58	0.4	0.26	12	16.2	\$462.87
12"	BGRE12SS	11.95	14.44	23.25	31.94	5.87	0.4	0.28	12	20.3	\$462.87
14"	BGRE14SS	13.95	16.00	26.50	36.87	5.95	0.4	0.32	12	20.3	\$534.73
16"	BGRE16SS	15.95	18.00	29.50	42.13	5.58	0.4	0.26	12	33.7	\$993.85
18"	BGRE18SS	17.95	20.00	32.44	50.95	8.62	0.4	0.33	12	45.1	\$1,131.49
20"	BGRE20SS	19.95	22.00	35.00	58.44	8.76	0.4	0.33	12	51.6	\$1,589.98
22"	BGRE22SS	21.95	24.00	38.25	64.25	8.67	0.4	0.33	12	57.4	\$1,631.99
24"	BGRE24SS	23.95	26.00	38.25	72.25	8.70	0.4	0.34	12	59.6	\$1,678.46



All Galvanized



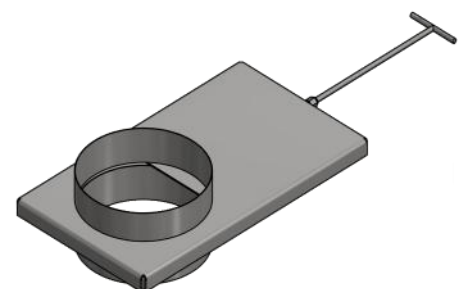
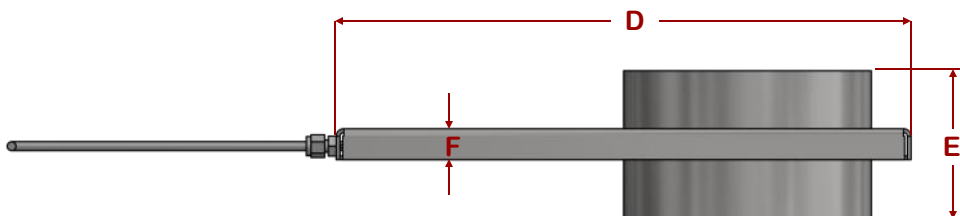
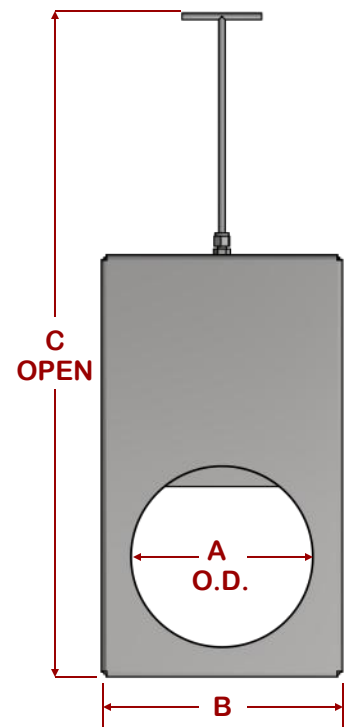
PART NO. BGPS00G

Oil Mist Vapor Proof Sealed Blast Gate

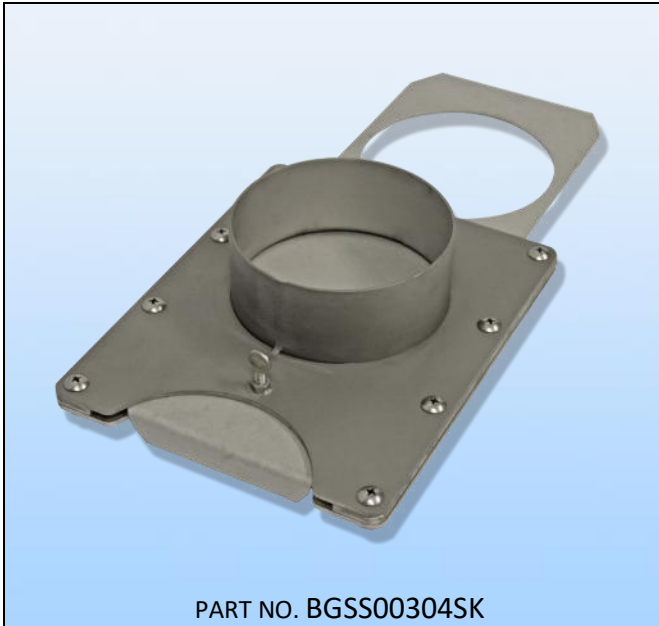
- Positive seal, also called “vapor Proof” gate
- Used in applications that require no external air leakage (fumes, oil mist)
- Internal leakage at slide blade is minimal
- Designed for fumes only. Not for material in air stream
- Standard construction is galvanized steel. Also available in 304, 316 stainless steel or C.R.S.
- Standard collars are undersized for slip-fit
- Welded flanges or rolled end collars available at additional cost

OIL MIST VAPOR PROOF SEALED BLAST GATE

DIA	PART #	A O.D.	B	C	D	E	F	WT.	PRICE
2"	BGPS02G	1.88	4.60	11.37	6.61	3.95	0.96	2.5	\$331.54
3"	BGPS03G	2.88	5.09	13.07	7.74	3.95	0.96	3.1	\$379.34
4"	BGPS04G	3.88	6.09	15.84	9.97	3.95	0.96	4.6	\$386.78
5"	BGPS05G	4.88	7.09	19.63	11.98	3.95	0.96	6.2	\$402.12
6"	BGPS06G	5.88	8.09	21.43	13.72	3.95	0.96	7.6	\$437.37
7"	BGPS07G	6.88	9.09	25.12	15.97	3.95	0.96	9.7	\$446.62
8"	BGPS08G	7.88	10.09	27.59	17.97	3.95	0.96	11.8	\$477.54
9"	BGPS09G	8.88	11.09	30.62	19.98	3.95	0.96	14.1	\$494.67
10"	BGPS10G	9.88	12.09	33.62	22.00	3.95	0.96	16.5	\$514.73
12"	BGPS12G	11.88	14.09	39.63	25.98	3.95	0.96	21.9	\$561.59
14"	BGPS14G	13.88	16.09	45.74	29.97	3.95	0.96	28.5	\$581.67
16"	BGPS16G	15.88	18.09	51.64	34.00	3.95	0.96	35.1	\$627.76
18"	BGPS18G	17.88	20.09	57.60	37.97	3.95	0.96	42.7	\$716.23
20"	BGPS20G	19.88	22.09	63.58	41.97	3.95	0.96	51.1	\$738.96
22"	BGPS22G	21.88	24.12	69.63	46.00	3.95	0.96	64.0	\$781.46
24"	BGPS24G	23.88	26.09	75.61	49.97	3.95	0.96	70.0	\$834.57



All Stainless Steel

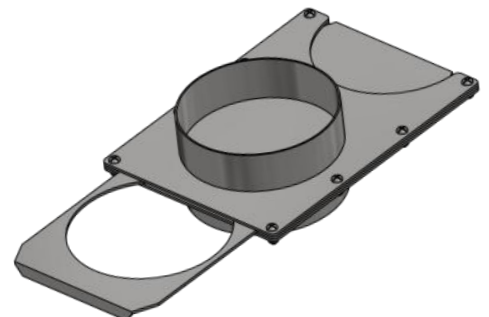
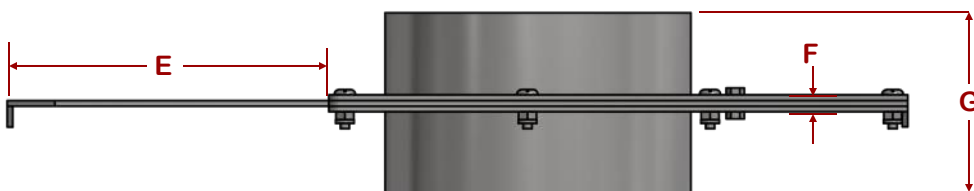
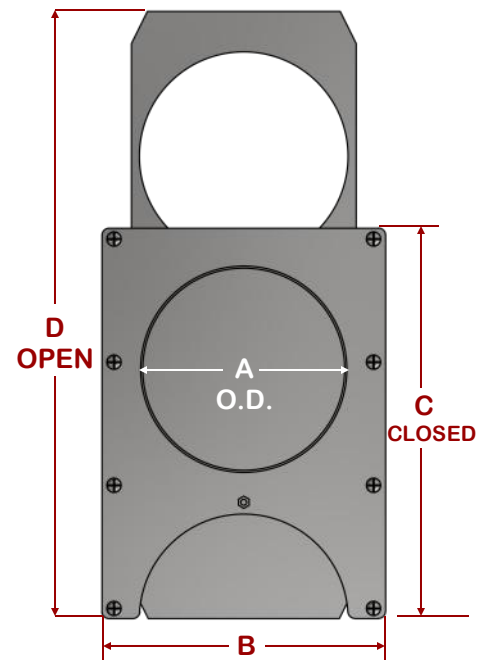


Self-Cleaning Blast Gate

- All 304 stainless steel construction
- Heavy duty 12 ga. body, 12 ga. slide blade
- Body designed to push out debris on slide tracks each time gate is closed
- Bolt-together body for ease in disassembly for cleaning
- Collars are undersized for slip-fit connection

STAINLESS STEEL SELF-CLEANING BLAST GATE

PART #	A O.D.	B	C	D	E	F	G	WT.	PRICE
BGSS02304SK	2.38	4.00	5.50	5.19	2.31	1.52	3.45	2.0	\$333.78
BGSS03304SK	2.88	5.00	6.00	8.89	3.10	1.52	3.45	2.7	\$337.53
BGSS04304SK	3.88	6.00	7.56	11.47	4.10	1.52	3.45	3.7	\$363.35
BGSS05304SK	4.88	7.00	9.50	14.50	5.00	1.52	3.45	5.2	\$380.53
BGSS06304SK	5.88	8.00	11.00	17.10	6.00	1.52	3.45	7.0	\$380.53
BGSS07304SK	6.88	9.00	12.50	19.32	7.10	1.52	3.45	8.4	\$485.61
BGSS08304SK	7.88	10.00	13.50	21.53	8.03	1.52	3.45	10.4	\$517.27
BGSS09304SK	8.88	12.00	15.19	24.19	9.10	1.52	3.36	13.4	\$551.50
BGSS10304SK	9.88	12.00	17.00	25.01	10.10	2.00	4.31	13.9	\$685.44
BGSS12304SK	11.88	14.44	20.25	29.90	12.10	2.00	4.31	19.2	\$930.26
BGSS14304SK	13.88	16.00	23.25	34.10	14.10	2.00	4.31	23.9	\$1,116.62
BGSS16304SK	15.88	18.00	26.50	39.30	16.10	2.00	4.31	28.1	\$1,666.78
BGSS18304SK	17.88	20.00	29.50	42.40	18.10	2.00	4.31	33.5	\$1,784.75
BGSS20304SK	19.88	22.00	32.44	47.30	20.10	2.00	4.31	45.2	\$2,528.33
BGSS22304SK	21.88	24.00	35.00	50.84	22.10	2.00	4.31	50.3	\$2,965.03
BGSS24304SK	23.88	26.00	38.25	56.30	23.10	2.00	4.31	59.7	\$3,378.05



Fabricated Half Blast Gate

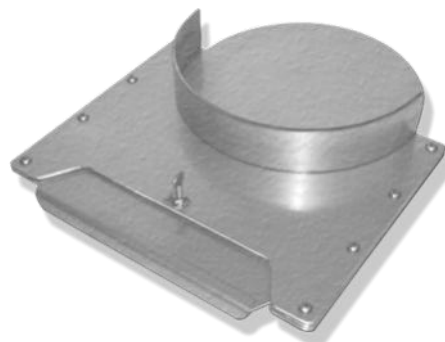
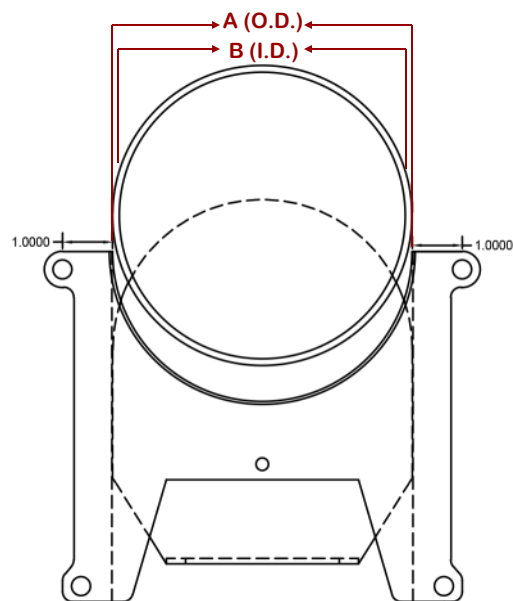


Fabricated Half Blast Gate

- This item is not a stock item and can be completely custom built to suit your needs
- Available in cold rolled steel, galvanized steel and stainless steel 304 & 316
- Please see size chart for “budget pricing” only shown by pipe size
- Please specify pipe size O.D. and I.D.
- Actual price will be quoted per customer specifications

FABRICATED HALF BLAST GATE

PIPE DIA	PART #	DIMENSIONS	CALL FOR PRICE
3"	BGH03X		
4"	BGH04X		
5"	BGH05X		
6"	BGH06X		
7"	BGH07X		
8"	BGH08X		
9"	BGH09X	PRICE WILL BE QUOTED PER CUSTOMER SPECIFICATIONS	
10"	BGH10X		
12"	BGH12X		
14"	BGH14X		
16"	BGH16X		
18"	BGH18X		
20"	BGH20X		
22"	BGH22X		
24"	BGH24X		
<p>Please specify steel type & pipe size when ordering</p> <p>BGH00G = Galvanized Steel BGH00SS304 = 304 Stainless Steel</p> <p>BGH00S = Cold Rolled Steel BGH00SS316 = 316 Stainless Steel</p>			



Fabricated Square Blast Gate

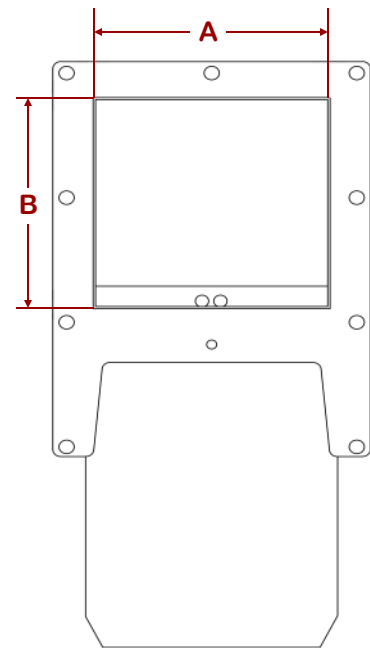


Fabricated Square Blast Gate

- This item is not a stock item and can be completely custom built to suit your system
- Picture shown is cold rolled steel, body painted grey, with stainless steel 304 slide gate
- Available in cold rolled steel, galvanized steel and stainless steel 304 & 316
- Required Specifications: With or without angle iron flange, O.D. & I.D., thickness, and bolt hole pattern.
- Please specify A & B dimensions

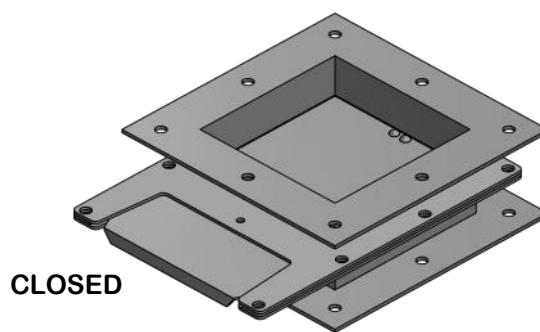
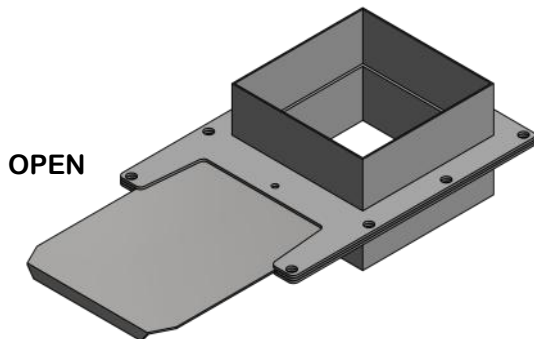
FABRICATED SQUARE BLAST GATE

PIPE DIA	PART #	DIMENSIONS	CALL FOR PRICE
3"			
4"			
5"			
6"			
7"			
8"			
9"		PRICE WILL BE QUOTED PER CUSTOMER SPECIFICATIONS	
10"			
12"			
14"			
16"			
18"			
20"			
22"			
24"			

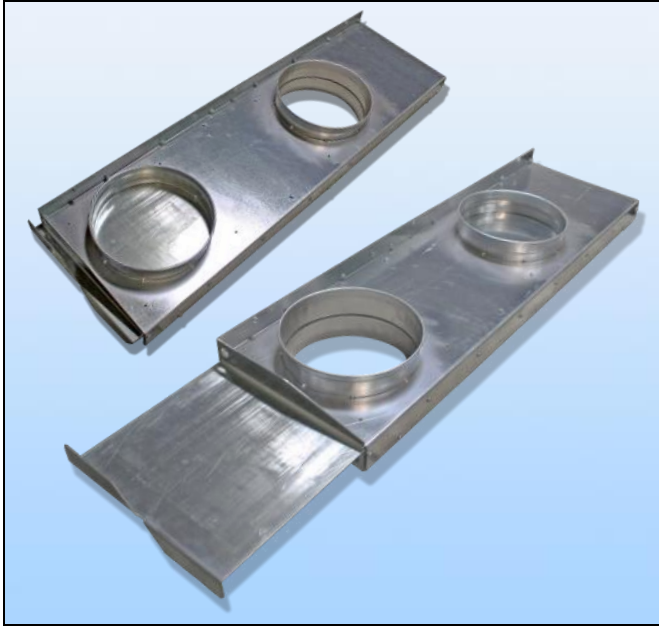


RAW END CONNECTION

FLANGED CONNECTION



Fabricated Galvanized Steel

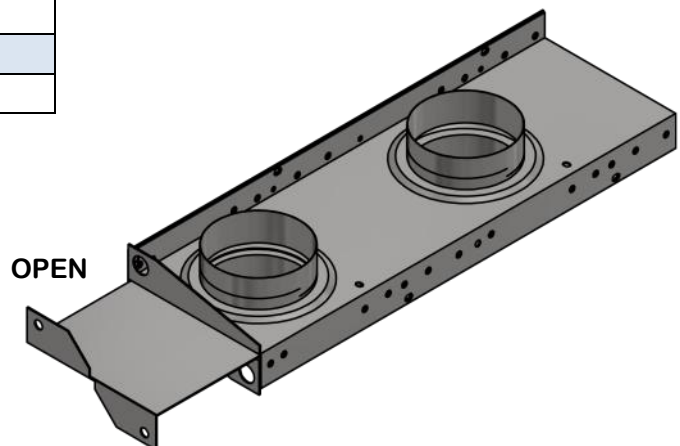
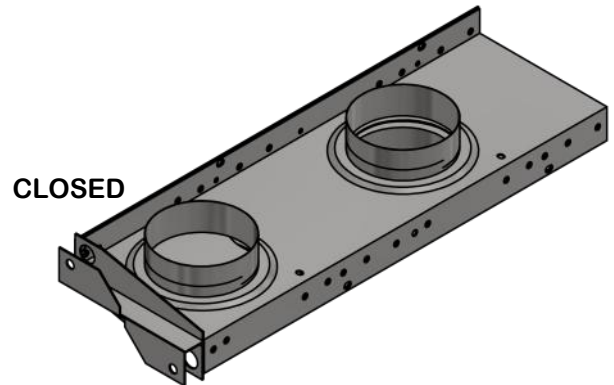


Fabricated Custom Blast Gate

- This item is not a stock item and can be completely custom to suit your needs
- Available in cold rolled steel, galvanized steel and stainless steel 304 & 316
- Available with or without UHMW Internal seals
- Single port or double port (as shown)

FABRICATED GALVANIZED BLAST GATE

PIPE DIA	PART #	DIMENSIONS	CALL FOR PRICE
3"			
4"			
5"			
6"			
7"			
8"			
9"		PRICE WILL BE QUOTED PER CUSTOMER SPECIFICATIONS	
10"			
12"			
14"			
16"			
18"			
20"			
22"			
24"			

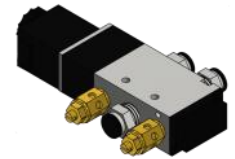


Automatic Pneumatic Blast Gate Control



Control package consisting of:

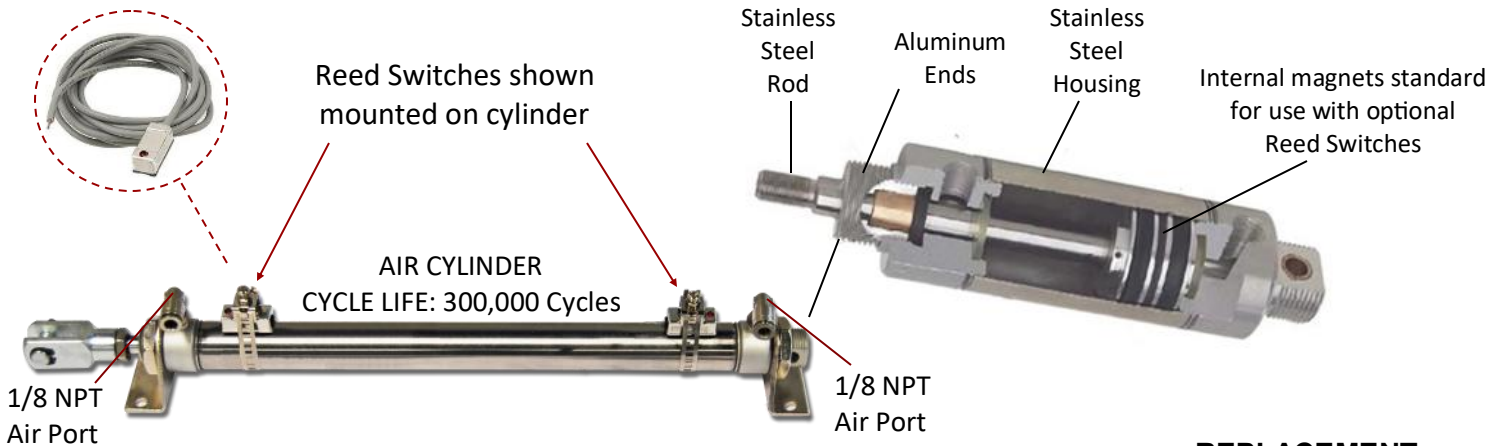
- 4-way valve with 1/4" push fittings
- Exhaust silencers with blade speed adjusters
- Electric coil, optional coil voltage 120VAC, 220VAC, 24VAC, 24VDC (please specify)
- 1/4" push fittings (3) installed on valve for air in and out to cylinder(s)



CONTROL PACKAGE

PART #	PRICE
CP-110V	\$153.42 ea.

Pneumatic Cylinder w/ Optional Reed Switch



REED SWITCH W/ MOUNTING

PART #	PRICE
BGRS02	\$80.83 ea.

- Senses when Blast Gate is open/closed
- Can be used with all automatic Blast Gates
- Cylinder not included

REPLACEMENT AIR CYLINDER

PART #	PRICE
CYL00	PLEASE CALL
2" - 30"	FOR PRICING

Manual Toggle Air Valve



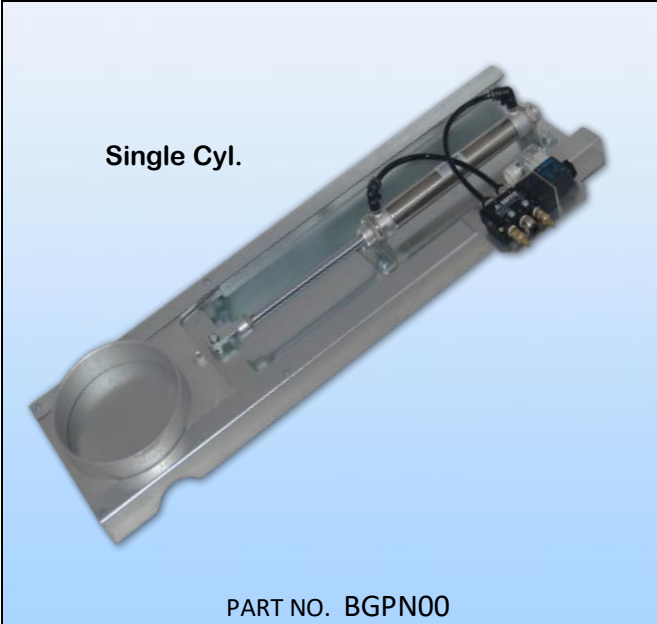
Manual Toggle Air Valve Control

- Manual air only control (no electricity)
- 1/4" Air line and 1/4" push fittings required (not Included)
- Install manual air control from a remote location
- Two exhaust silencers with blade speed control, screw included (not shown)

TOGGLE AIR VALVE W/ SILENCERS, SPEED ADJUSTERS

PART #	PRICE
MVALVE01	\$53.26 ea.

Cast Aluminum Single Cylinder

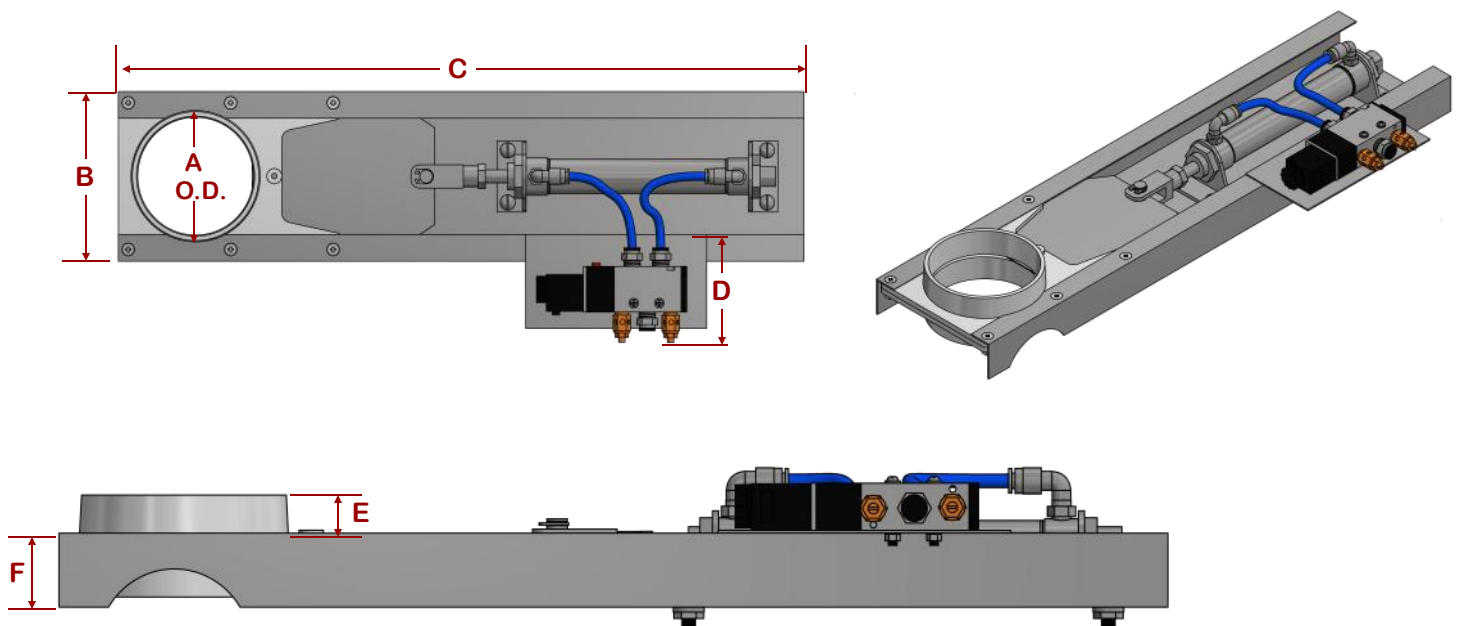


Automatic Die Cast Aluminum Pneumatic

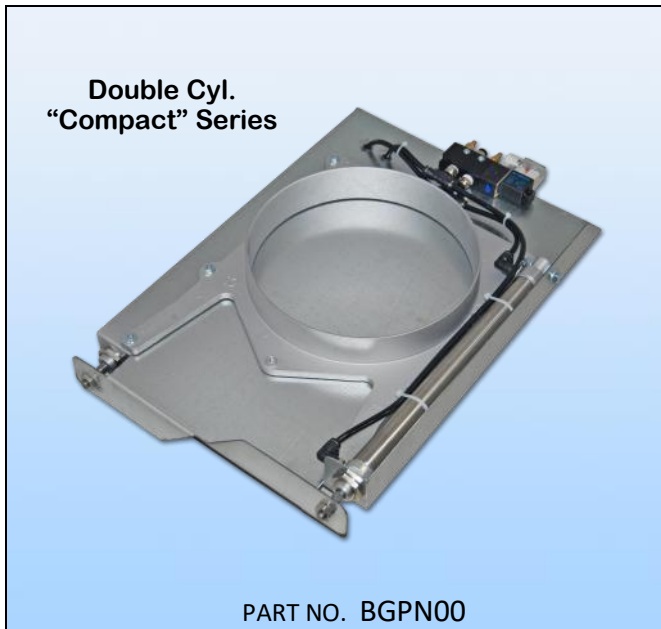
- Designed for dust and fumes
- Cast aluminum body with galvanized slide blade
- Operated by 90-100 P.S.I. compressed air
- 120VAC, 220VAC, 24VAC, 24VDC, coil included. Please specify voltage
- Single Cylinders 2" to 5" (Double Cylinder "Compact" Series sizes 8" - 24" see page 16)
- Undersized collars for slip-fit into duct
- Rolled edge collars available at additional cost

DIE CAST ALUMINUM PNEUMATIC—SINGLE CYLINDER

DIA	PART #	A O.D.	B	C	D	E	F	WT.	PRICE
2"	BGPNO2	2.32	3.80	15.88	3.14	0.78	1.94	2.6	\$558.42
3"	BGPNO3	2.82	4.11	18.81	3.26	0.75	1.91	3.8	\$563.67
4"	BGPNO4	3.87	5.09	21.76	3.23	0.75	1.87	4.8	\$566.53
5"	BGPNO5	4.76	6.10	25.28	3.07	0.88	2.16	5.2	\$573.89
SIZES 6" - 24" SEE PAGE 16									



Cast Aluminum

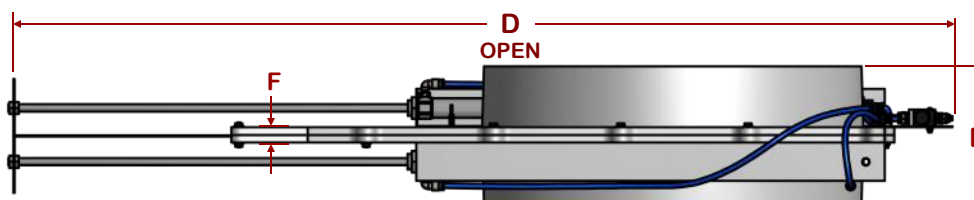
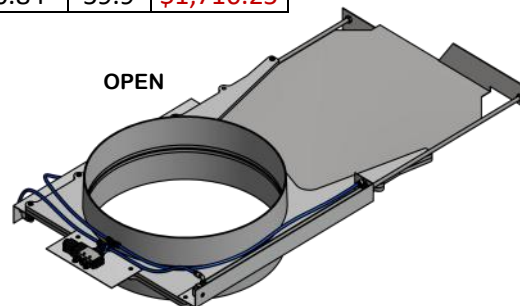
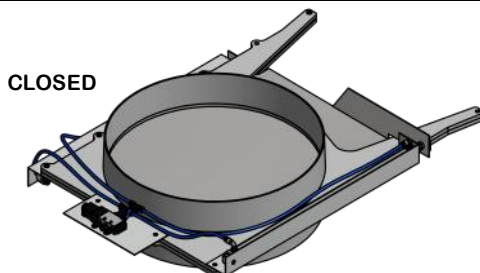
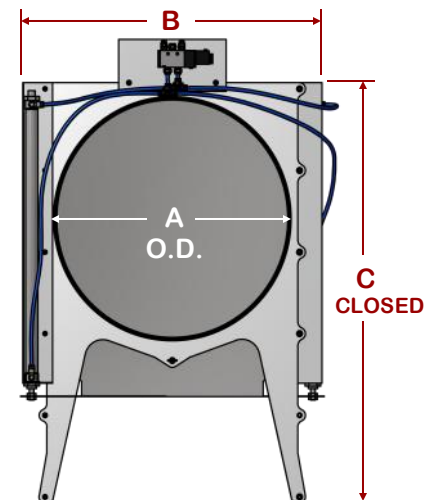


Double Cylinder "Compact" Series Blast Gate

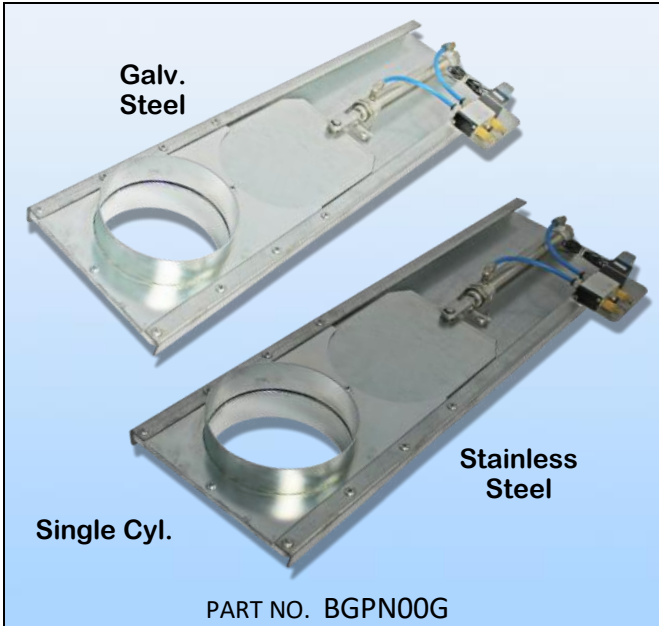
- Designed for dust and fumes
- Cast aluminum body with galvanized slide blade
- Operated by 90-100 P.S.I. compressed air
- 120VAC, 220VAC, 24VAC, 24VDC, coil included. Please specify voltage
- Double Cylinder "Compact" Series sizes 6" to 24" (Single Cylinders 2" to 5" see page 15)
- Rolled edge collar available at additional cost

DIE CAST ALUMINUM PNEUMATIC—DOUBLE CYLINDER

DIA	PART #	A O.D.	B	C	D	E	F	WT.	PRICE
6"	BGNP06	5.82	7.10	27.81	3.12	0.88	2.13	7.0	\$579.36
7"	BGNP07	6.81	8.10	31.53	3.03	1.05	2.51	8.2	\$588.90
8"	BGNP08	7.85	11.60	13.50	17.38	4.00	0.35	8.4	\$666.17
9"	BGNP09	8.88	12.60	14.38	18.38	4.00	0.35	8.5	N/A
10"	BGNP10	9.83	13.37	15.38	19.19	4.00	0.35	10.5	\$800.89
12"	BGNP12	11.61	13.20	16.38	20.19	4.00	0.35	11.6	\$831.42
14"	BGNP14	13.84	17.99	20.00	23.85	4.00	0.30	15.8	\$1,008.04
16"	BGNP16	15.88	19.24	21.02	37.02	4.40	0.35	39.9	\$1,173.23
18"	BGNP18	17.80	21.47	23.32	42.13	4.13	0.82	44.9	\$1,342.15
20"	BGNP20	19.78	24.35	25.12	44.93	4.13	0.82	49.9	\$1,452.77
22"	BGNP22	21.72	26.81	27.90	49.10	4.13	0.84	54.9	\$1,466.56
24"	BGNP24	23.68	28.78	30.06	53.17	4.13	0.84	59.9	\$1,710.25



Galvanized & Stainless Steel



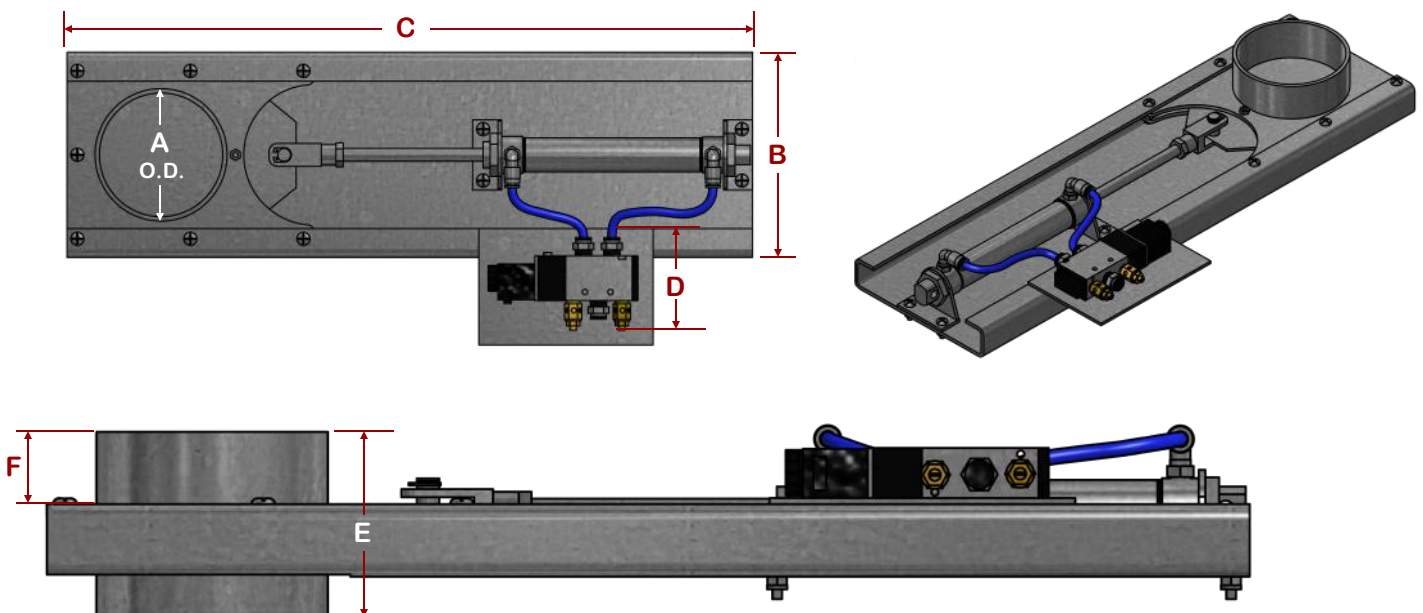
Single Cylinder Blast Gate

- All galvanized or all 304 stainless steel construction
- Heavy duty 12 gauge body, 12 gauge slide blade
- Pneumatic cylinder with internal magnet for use with signaling limit switch, included. Limit switches sold separately (see page 14)
- Air valve with speed controls and fittings included
- Electric coil included. Please specify voltage, 110VAC, 220VAC or 24 VDC, 24VAC

GALVANIZED OR STAINLESS STEEL BLAST GATE - SINGLE CYLINDER

DIA	PART #	A O.D.	B	C	D	E	F	WT.	GALV. PRICE	S.S. PRICE
2"	BGPN02G	1.88	3.68	15.68	3.14	1.02	2.16	10.6	\$584.75	\$705.92
3"	BGPN03G	2.88	5.27	18.68	3.26	1.66	3.45	11.8	\$589.67	\$712.95
4"	BGPN04G	3.88	6.27	21.00	3.23	1.66	3.45	12.8	\$593.51	\$726.75
5"	BGPN05G	4.88	7.27	25.00	3.07	1.66	3.45	13.2	\$600.18	\$745.66
6"	BGPN06G	5.88	8.27	28.94	3.12	1.66	3.45	15.0	\$618.27	\$772.52
7"	BGPN07G	6.88	9.27	31.60	3.03	1.66	3.45	16.2	\$634.20	\$796.18

ADD SS TO PART NUMBER FOR STAINLESS STEEL (EX. BGPNO2SS)



Galvanized & Stainless Steel



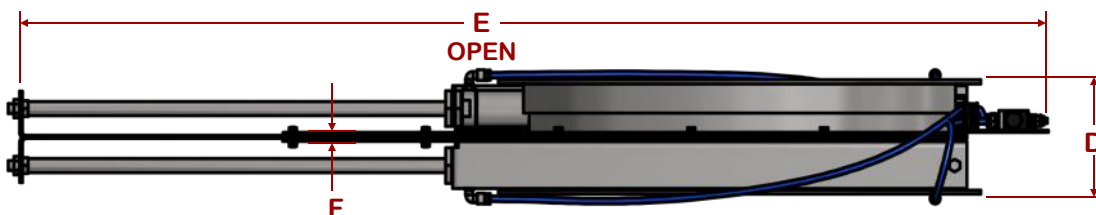
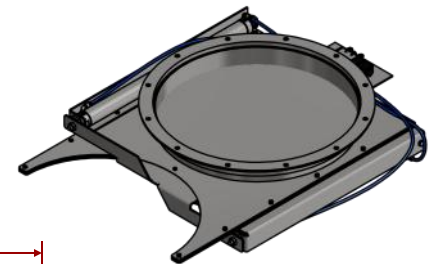
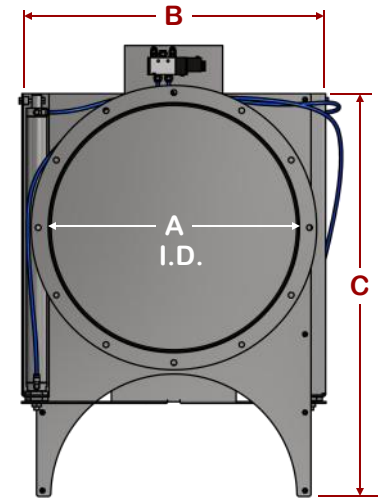
Double Cylinder "Compact" Series Blast Gate

- All galvanized or all 304 stainless steel construction
- Heavy duty 12 ga. Body, 12 ga. slide blade
- Pneumatic cylinder w/ internal magnet for use with signaling limit switch, included. Limit switches sold separately (see page 14)
- Air valve with speed controls and fittings included
- Electric coil included. Please specify voltage, 110VAC, 220VAC or 24VDC, 24VAC
- Shown with optional angle ring flanges. Standard come with undersized with raw end collars for slip-fit. Rolled end collars for clamp-together duct available at additional cost
- Priced below for undersized raw end collars

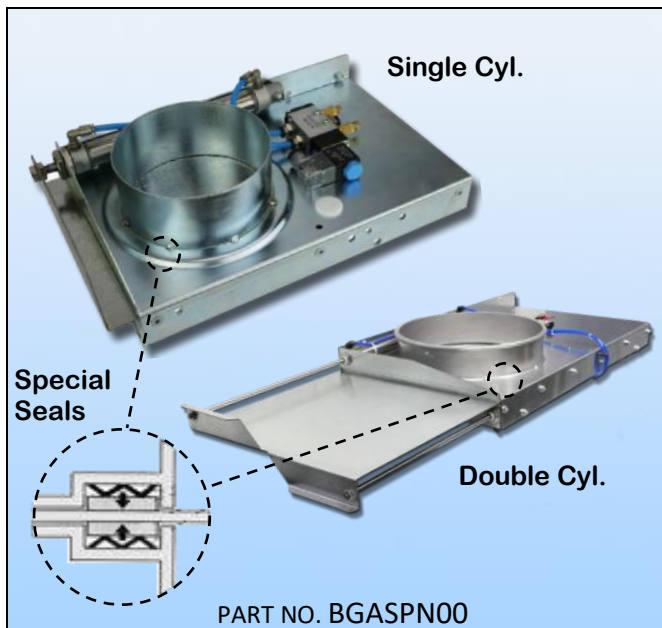
GALVANIZED OR STAINLESS STEEL BLAST GATE - DOUBLE CYLINDER

DIA	PART #	A O.D.	B	C	D	E	F	WT.	GALV. PRICE	S.S. PRICE
8"	BGNP08G	8.88	10.27	13.94	3.08	24.64	0.40	17.2	\$697.73	\$849.30
10"	BGNP10G	10.88	12.27	17.00	3.07	28.30	0.40	18.2	\$718.75	\$1,079.51
12"	BGNP12G	11.94	13.26	20.25	5.13	32.42	0.40	26.4	\$824.40	\$1,259.48
14"	BGNP14G	13.94	17.99	23.25	5.13	36.75	0.40	32.3	\$864.20	\$1,383.22
16"	BGNP16G	15.94	20.11	26.50	5.13	37.06	0.40	45.0	\$945.69	\$1,637.66
18"	BGNP18G	17.94	21.47	29.50	5.13	44.92	0.40	51.2	\$1,143.11	\$2,304.35
20"	BGNP20G	19.94	24.35	32.44	5.13	48.44	0.40	58.2	\$1,306.81	\$2,869.90
22"	BGNP22G	21.94	26.81	25.00	5.13	49.07	0.40	65.7	\$1,398.21	\$3,164.62
24"	BGNP24G	23.94	28.78	38.25	5.13	52.55	0.40	72.2	\$1,535.68	\$3,505.13

AVAILABLE IN GALVANIZED OR STAINLESS STEEL
 ADD SS TO PART NUMBER FOR STAINLESS STEEL (EX. BGNP02SS)



Galvanized

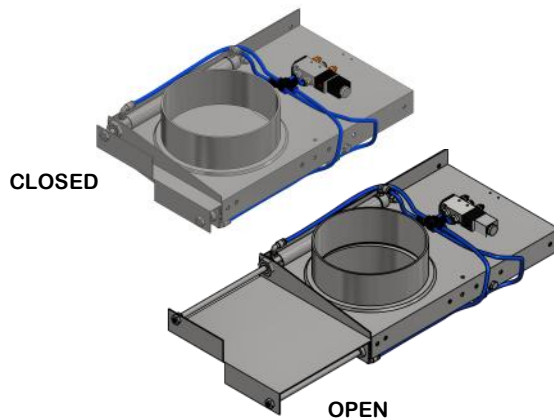
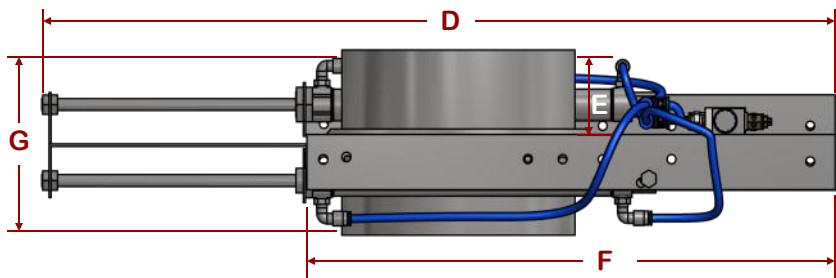
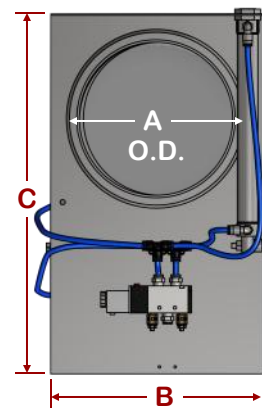


Galvanized with UHMW Seals

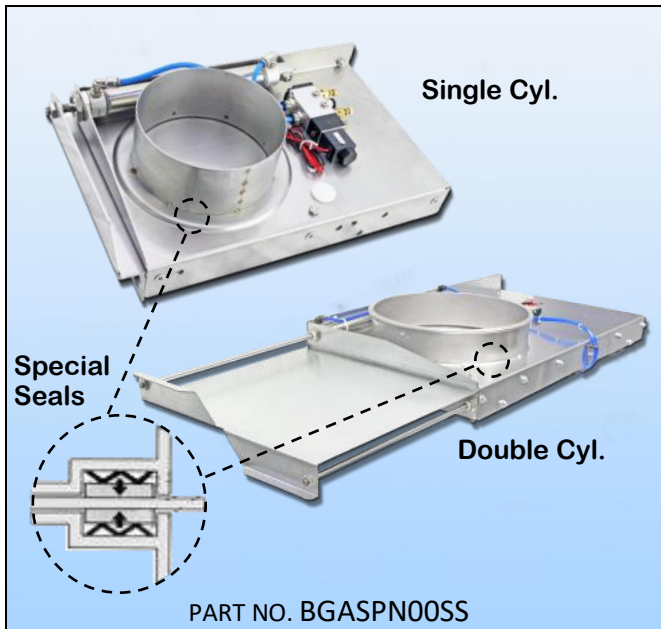
- Used for particulate dust and fumes/vapors
- Self cleaning design
- UHMW (Ultra High Molecular Weight) seals for very low leakage in negative pressure (suctions) systems
- Available in manual or pneumatic
- Available in zinc plated or stainless steel
- Collars are standard O.D. plain ends. Sizes 2" to 12" rolled or flanged ends available at additional cost. Sizes 14"-24" have undersized collars for slip-fit connection
- Compressed air required: 80 to 90 PSI
- Reed switches for sensing open/close position available (see page 14)
- Sizes 2" - 7" Single Cylinder
- Sizes 8" and up, Double Cylinder
- Electrical coil included. Please specify voltage: 110VAC, 220VAC, 24VDC, 24VAC

GALVANIZED W/UHMW SEALS

DIA	PART #	A O.D.	B	C	D	E	F	G	BLADE GA.	COLLAR GA.	BODY GA.	WT.	PRICE
2"	BGASPN02	2.00	6.38	9.75	12.75	2.53	8.75	6.23	14	18	16	4.6	\$1,082.53
3"	BGASPN03	3.00	6.00	9.68	12.75	2.44	10.32	5.87	14	18	16	4.8	\$1,094.48
4"	BGASPN04	4.00	7.00	11.32	15.31	2.44	10.32	5.84	14	18	16	6.2	\$1,094.48
5"	BGASPN05	5.00	7.94	11.38	18.31	2.44	12.32	5.85	14	16	16	7.8	\$1,149.20
6"	BGASPN06	6.00	8.94	15.32	21.25	2.44	14.25	5.94	14	16	16	9.4	\$1,149.20
7"	BGASPN07	7.00	10.88	19.94	27.13	2.84	18.13	5.94	14	16	16	15.0	\$1,175.51
8"	BGASPN08	8.00	10.88	19.94	21.25	2.68	18.13	6.07	14	16	16	14.0	\$1,175.51
9"	BGASPN09	9.00	14.63	23.68	27.13	2.84	20.13	6.07	14	16	14	28.0	\$1,231.29
10"	BGASPN10	10.00	14.63	23.67	33.42	2.68	22.13	5.80	14	16	14	27.0	\$1,265.55
12"	BGASPN12	12.00	16.56	28.19	40.18	2.63	27.18	5.79	11	16	14	35.8	\$1,299.70
14"	BGASPN14	13.88	18.00	33.49	47.49	2.59	32.50	6.06	14	14	14	41.7	\$1,380.12
16"	BGASPN16	15.88	20.00	37.50	53.50	2.59	36.50	6.06	14	14	14	47.7	\$1,563.54
18"	BGASPN18	17.88	22.00	42.19	60.19	2.59	42.50	6.06	12	12	12	53.7	\$1,679.92
20"	BGASPN20	19.88	24.00	45.13	65.03	2.59	44.50	6.06	12	12	12	59.7	\$1,998.81
22"	BGASPN22	21.88	26.00	49.29	71.29	2.59	48.50	6.06	12	12	12	65.6	\$2,189.33
24"	BGASPN24	23.88	28.00	53.13	77.13	2.59	52.50	6.06	12	12	12	71.6	\$2,302.66



Stainless Steel

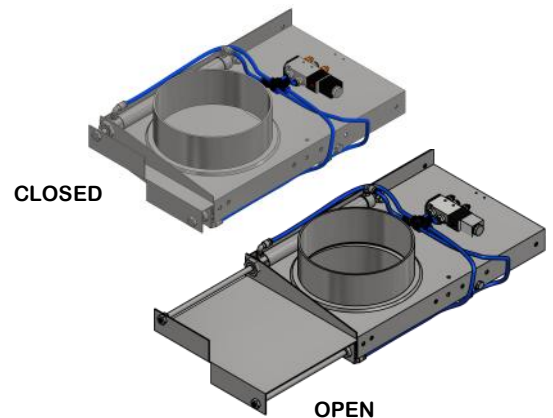
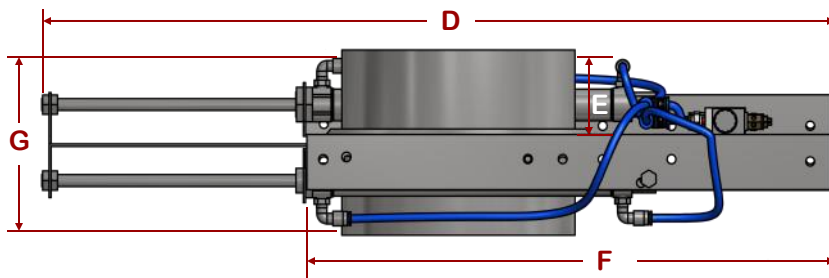
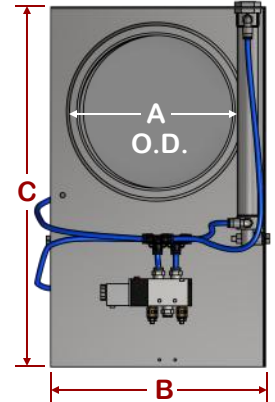


Stainless Steel w/ UHMW Seals

- Used for particulate dust and fumes/vapors
- Self cleaning design
- UHMW (Ultra High Molecular Weight) seals for very low leakage in negative pressure (suctions) systems
- Available in manual or pneumatic
- Available in zinc plated or stainless steel
- Collars are standard O.D. plain ends. Sizes 2" to 12" rolled or flanged ends available at additional cost. Sizes 14"-24" have undersized collars for slip-fit connection
- Compressed air required: 80 to 90 PSI
- Reed switches for sensing open/close position available (see page 14)
- Sizes 2" - 7" Single Cylinder
- Sizes 8" and up, Double Cylinder
- Electrical coil included. Please specify voltage: 110VAC, 220VAC, 24VDC, 24VAC

STAINLESS STEEL W/UHMW SEALS

DIA	PART #	A O.D	B	C	D	E	F	G	BLADE GA.	COLLAR GA.	BODY GA.	WT.	PRICE
2"	BGASPN02SS	2.00	6.38	9.75	12.75	2.53	8.75	6.23	14	18	16	4.6	\$2,120.37
3"	BGASPN03SS	3.00	6.00	9.68	12.75	2.44	10.32	5.87	14	18	16	4.8	\$2,120.37
4"	BGASPN04SS	4.00	7.00	11.32	15.31	2.44	10.32	5.84	14	18	16	6.2	\$2,120.37
5"	BGASPN05SS	5.00	7.94	11.38	18.31	2.44	12.32	5.85	14	16	16	7.8	\$2,131.24
6"	BGASPN06SS	6.00	8.94	15.32	21.25	2.44	14.25	5.94	14	16	16	9.4	\$2,142.11
7"	BGASPN07SS	7.00	10.88	19.94	27.13	2.84	18.13	5.94	14	16	16	15.0	\$2,152.97
8"	BGASPN08SS	8.00	10.88	19.94	21.25	2.68	18.13	6.07	14	16	16	14.0	\$2,353.42
9"	BGASPN09SS	9.00	14.63	23.68	27.13	2.84	20.13	6.07	14	16	14	28.0	\$2,957.17
10"	BGASPN10SS	10.00	14.63	23.67	33.42	2.68	22.13	5.80	14	16	14	27.0	\$3,011.51
12"	BGASPN12SS	12.00	16.56	28.19	40.18	2.63	27.18	5.79	11	16	14	35.8	\$3,187.80
14"	BGASPN14SS	13.88	18.00	33.49	47.49	2.59	32.50	6.06	14	14	14	41.7	\$3,377.38
16"	BGASPN16SS	15.88	20.00	37.50	53.50	2.59	36.50	6.06	14	14	14	47.7	\$3,494.51
18"	BGASPN18SS	17.88	22.00	42.19	60.19	2.59	42.50	6.06	12	12	12	53.7	\$3,919.55
20"	BGASPN20SS	19.88	24.00	45.13	65.03	2.59	44.50	6.06	12	12	12	59.7	\$4,221.42
22"	BGASPN22SS	21.88	26.00	49.29	71.29	2.59	48.50	6.06	12	12	12	65.6	\$4,569.18
24"	BGASPN24SS	23.88	28.00	53.13	77.13	2.59	52.50	6.06	12	12	12	71.6	\$4,813.10



CLAMP-TOGETHER DUCT SYSTEMS

PRICE CATALOG 2026

35% OFF

DESIGNED FOR DUST & FUME COLLECTION



PAGE 1
PIPES, SLEEVES &



PAGE 2
45° & 90° ELBOWS



PAGE 3
BRANCHES & Y-BRANCHES



PAGE 4
DOUBLE BRANCHES & T-BRANCHES



PAGE 5
ANGLE FLANGE ADAPTERS & IN-CUT SADDLES



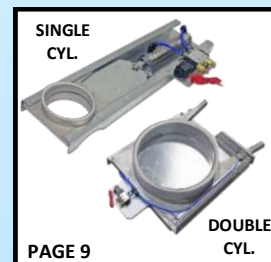
PAGE 6
REDUCERS & SQUARE TO ROUND TRANSITIONS



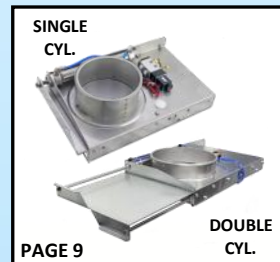
PAGE 7
CAST ALUM. & S.S. BLAST GATES



PAGE 8
GALV. & S.S. BLAST GATES W/UHMW SEALS



PAGE 9
AUTOMATIC DIE CAST ALUM. PNEUMATIC BLAST GATES



PAGE 9
AUTOMATIC GALVANIZED PNEUMATIC BLAST GATES



PAGE 10
HOSE & HOSE CLAMPS



PAGE 11
END CAPS



PAGE 12
HOSE ADAPTERS & MACHINE ADAPTERS



PAGE 13
BALL JOINTS, CABLE DUCT HANGERS & ACCESSORIES



PAGE 14
PIPE HANGERS & ACCESSORIES



PAGE 15
Light Duty Heavy Duty
FLOOR SWEEPS & CAPTURE HOODS



PAGE 16
VERTICAL CAPTURE HOODS & TELESCOPING JOINTS



PAGE 17
NO RETURN VALVES & NRV ACCESSORIES

ATEX CERTIFIED



PAGE 18
HIGH SPEED ABORT GATES



PAGE 18
INTSTRUCTIONS: ADJUSTABLE SLEEVE W/ O-RING

FAST INSTALLATIONS • EASY REMOVAL FOR CLEANING OR RELOCATING IN STOCK FOR IMMEDIATE SHIPPING



NO RETURN VALVE NFPA 69 compliant

The installation of an **Explosion Isolation device** on all suction side ducts that transport material with a Kst value above zero is an **NFPA Requirement**.

The EccoMAXX No-Return Explosion Isolation Valve will protect workers and facilities from the damaging effect of a baghouse or filter explosion.

Features & Benefits

- ATEX certified
- Heavy duty welding steel construction
- Flanged inlet and outlet with co-flanges
- Inspection/access door
- Grounding lug
- Locking mechanism

The NRV is **100% NFPA 69 compliant with the following options:**

NRV-MS: Micro-switch for system shut down

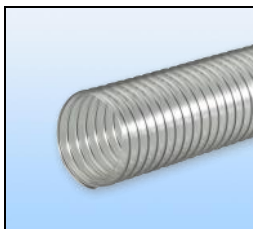
NRV-DLS: Dust level sensor

NRV-CP: Control panel for sensor power and integration



Atex-Polyflex Hose

- Flexible
- ATEX Certified
- Used with combustible dusts, powders
- Static Dissipative
- UV resistant
- Highly abrasive resistant



BULK MATERIAL	KST VALUE	TABLE REFERENCE
Anthraquinone	364	NFPA 68 1988 Table D-3
Tinuvin 320	244	I Chem E Guide pt1 1985
Wood dust	224	NFPA 68 1988 Table D-2
Cellulose	229	NFPA 68 1988 Table D-1
Wood Flour	205	NFPA 68 1988 Table D-1
Cork	202	NFPA 68 1988 Table D-1
Starch, corn	202	NFPA 68 1988 Table D-1
Paraformaldehyde	178	NFPA 68 1988 Table D-3
Zince	176	NFPA 68 1988 Table D-4
Peat	157	NFPA 68 1988 Table D-2
Lead Sterate	152	NFPA 68 1988 Table D-3
Lignite	151	NFPA 68 1988 Table D-2
Sulphur	151	NFPA 68 1988 Table D-3
Whey	140	NFPA 68 1988 Table D-1
Sugar	138	NFPA 68 1988 Table D-1
Flour, cake 4.6% Moist	137	FMBRA test on flour
Carboxy methyl cellulose	136	NFPA 68 1988 Table D-3
Lycopodium	135	I Chem E Guide pt1 1985
Methyl cellulose	134	NFPA 68 1988 Table D-3
Polythylene	134	I Chem E Guide pt1 1985

***The installation of an Explosive Isolation Device on all suction side ducts that transport material with KST value above zero is an NFPA Requirement.**

CE 2049 DNV-MUNO 09 ATEX 4519 Ex II GD
ATEX Certification EN 16447: 2014

**WE ALSO HAVE HIGH SPEED ABORT GATES, SIZES 8" TO 58"
PLEASE CALL FOR PRICING**



**sales@blastgateco.com
1-877-904-4022**



14219 EAST TEN MILE ROAD
WARREN, MI 48089-2162
1-877-904-4022 FAX: 586-776-8532
sales@blastgateco.com

