

CLAMP-TOGETHER DUCT SYSTEMS

PRICE CATALOG 2019

**35% OFF
 SALE**

DESIGNED FOR DUST & FUME COLLECTION



PAGE 1
 PIPES, SLEEVES &



PAGE 2
 45° & 90° ELBOWS



PAGE 3
 BRANCHES &
 Y-BRANCHES



PAGE 4
 DOUBLE BRANCHES &
 T-BRANCHES



PAGE 5
 ANGLE FLANGE ADAPTERS &
 IN-CUT SADDLES



PAGE 6
 REDUCERS & SQUARE TO
 ROUND TRANSITIONS



PAGE 7
 CAST ALUM. & S.S.
 BLAST GATES



PAGE 8
 GALV. & S.S. BLAST GATES
 W/UHMW SEALS



PAGE 9
 SINGLE CYL.
 DOUBLE CYL.
 AUTOMATIC DIE CAST ALUM.
 PNEUMATIC BLAST GATES



PAGE 9
 SINGLE CYL.
 DOUBLE CYL.
 AUTOMATIC GALVANIZED
 PNEUMATIC BLAST GATES



PAGE 10
 HOSE & HOSE CLAMPS



PAGE 11
 END CAPS



PAGE 12
 HOSE ADAPTERS &
 MACHINE ADAPTERS



PAGE 13
 CABLE DUCT HANGERS &
 ACCESSORIES



PAGE 13
 BALL JOINTS &
 FLOOR SWEEPS



PAGE 14
 PIPE HANGERS &
 ACCESSORIES



PAGE 15
 NO RETURN VALVES &
 NRV ACCESSORIES

**ATEX
 CERTIFIED**



PAGE 16
 HIGH SPEED ABORT GATES

**FAST INSTALLATIONS • EASY REMOVAL FOR CLEANING OR RELOCATING
 IN STOCK FOR IMMEDIATE SHIPPING**

1 CLAMP TOGETHER PIPE & CLAMPS

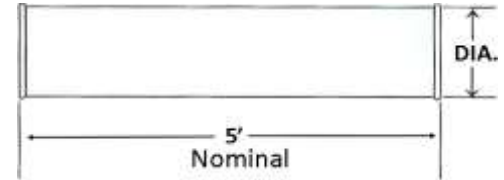
CT PIPE 5 FT. SECTIONS

DIA.	PART #	GA.	WT.	REG. PRICE PER 5 FT.	35% OFF PER 5 FT.
3"	CTPIPE03	18	4.0	\$31.70	\$20.61
4"	CTPIPE04	22	5.4	\$31.70	\$20.61
5"	CTPIPE05	22	6.7	\$34.70	\$22.56
6"	CTPIPE06	22	7.9	\$41.80	\$27.17
7"	CTPIPE07	22	11.7	\$51.20	\$33.28
8"	CTPIPE08	22	13.3	\$57.50	\$37.38
9"	CTPIPE09	22	14.9	\$62.20	\$40.43
10"	CTPIPE10	22	16.6	\$66.90	\$43.49
11"	CTPIPE11	22	18.1	\$80.20	\$52.13
12"	CTPIPE12	22	19.8	\$80.20	\$52.13
14"	CTPIPE14	20	27.3	\$103.30	\$67.15
16"	CTPIPE16	20	29.3	\$134.10	\$87.17
18"	CTPIPE18	20	34.0	\$147.80	\$96.07
20"	CTPIPE20	20	38.0	\$177.40	\$115.31
22"	CTPIPE22	20	42.0	\$196.30	\$127.60
24"	CTPIPE24	20	45.8	\$225.80	\$146.77

CT Pipe



- Galvanized with rolled ends
- 5 Ft. Sections
- Seam welded



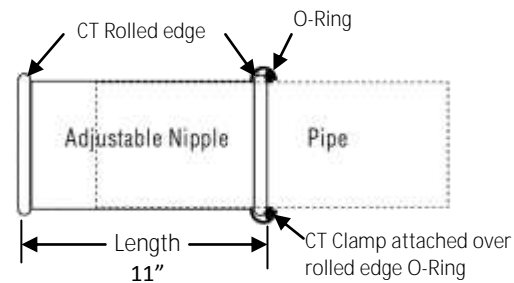
ADJUSTABLE SLEEVE W/ O-RING

DIA.	PART #	GA.	WT.	REG PRICE	35% OFF
3"	CTSLEEVE03	22	0.8	\$19.20	\$12.48
4"	CTSLEEVE04	22	1.1	\$19.20	\$12.48
5"	CTSLEEVE05	22	1.3	\$19.60	\$12.74
6"	CTSLEEVE06	22	1.6	\$20.20	\$13.13
7"	CTSLEEVE07	22	2.4	\$24.20	\$15.73
8"	CTSLEEVE08	22	2.7	\$24.70	\$16.06
9"	CTSLEEVE09	22	3.1	\$26.00	\$16.90
10"	CTSLEEVE10	22	3.4	\$26.50	\$17.23
11"	CTSLEEVE11	22	3.8	\$30.30	\$19.70
12"	CTSLEEVE12	22	4.2	\$30.30	\$19.70
14"	CTSLEEVE14	20	5.9	\$41.00	\$26.65
16"	CTSLEEVE16	20	6.7	\$47.10	\$30.62
18"	CTSLEEVE18	20	7.5	\$55.00	\$35.75
20"	CTSLEEVE20	20	8.1	\$67.40	\$43.81
22"	CTSLEEVE22	20	8.8	\$79.70	\$51.81
24"	CTSLEEVE24	20	9.7	\$91.70	\$59.61

Adjustable Sleeve With O-Ring



- Used to provide variable length adjustment of CT pipe system
- Black O-Ring included
- High Temp Red O-Ring available
- Sleeve length 11 inches
- See page 18 for instructions



ADJUSTABLE CLAMP W/ PIN

DIA.	PART #	WT.	REG. PRICE	35% OFF
3"	CTCLAMP03	0.2	\$10.00	\$6.50
4"	CTCLAMP04	0.2	\$10.70	\$6.96
5"	CTCLAMP05	0.3	\$11.50	\$7.48
6"	CTCLAMP06	0.3	\$11.90	\$7.74
7"	CTCLAMP07	0.5	\$12.50	\$8.13
8"	CTCLAMP08	0.5	\$12.90	\$8.39
9"	CTCLAMP09	0.6	\$13.30	\$8.65
10"	CTCLAMP10	0.6	\$14.50	\$9.43
11"	CTCLAMP11	0.7	\$15.70	\$10.21
12"	CTCLAMP12	1.3	\$15.70	\$10.21
14"	CTCLAMP14	1.4	\$17.10	\$11.12
16"	CTCLAMP16	1.6	\$18.90	\$12.29
18"	CTCLAMP18	1.7	\$19.60	\$12.74
20"	CTCLAMP20	1.9	\$20.50	\$13.33
22"	CTCLAMP22	1.9	\$21.50	\$13.98
24"	CTCLAMP24	2.2	\$24.70	\$16.06

Adjustable Clamp With Pin



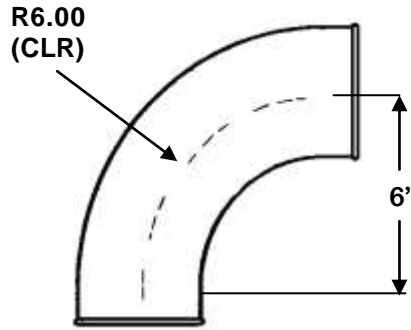
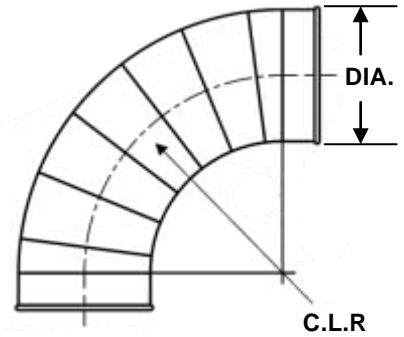
- Adjustment screw provides variable tension for a perfect fit
- Internal gasket seal included

90° ELBOWS

DIA.	PART #	CLR	STYLE	GA.	WT.	REG. PRICE	35% OFF
3"	CTEL9003	1.5	P	24	0.9	\$46.40	\$30.16
4"	CTEL9004	1.5	P	24	1.0	\$57.30	\$37.25
5"	CTEL9005	1.5	P	24	1.2	\$63.50	\$41.28
6"	CTEL9006	1.5	P	24	1.5	\$71.50	\$46.48
7"	CTEL9007	1.5	P	24	2.2	\$95.40	\$62.01
8"	CTEL9008	1.5	S	22	6.1	\$139.00	\$90.35
9"	CTEL9009	1.5	S	22	7.6	\$144.30	\$93.80
10"	CTEL9010	1.5	S	22	9.0	\$150.20	\$97.63
11"	CTEL9011	1.5	S	22	10.5	\$190.70	\$123.96
12"	CTEL9012	1.5	S	22	12.4	\$190.70	\$123.96
14"	CTEL9014	1.5	S	20	19.0	\$202.60	\$131.69
16"	CTEL9016	1.5	S	20	24.0	\$207.90	\$135.14
18"	CTEL9018	1.5	S	20	30.9	\$292.30	\$190.00
20"	CTEL9020	1.5	S	20	35.9	\$341.00	\$221.65
22"	CTEL9022	1.5	S	20	43.0	\$438.70	\$285.16
24"	CTEL9024	1.5	S	20	55.5	\$504.40	\$327.86

P= Press Formed S= Segmented CLR= Center Line Radius

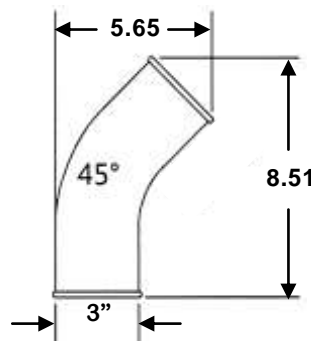
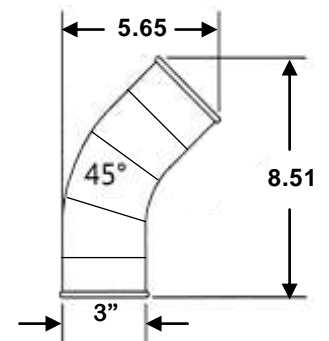
90° Elbow - Press Formed

90° Elbow - Segmented

Example Shown:
 4" 90 Deg. Elbow 1.5 CLR = 6"

45° ELBOWS

DIA.	PART #	CLR	STYLE	GA.	WT.	REG. PRICE	35% OFF
3"	CTEL4503	1.5	P	24	0.9	\$41.90	\$27.24
4"	CTEL4504	1.5	P	24	1.0	\$48.90	\$31.79
5"	CTEL4505	1.5	P	24	0.7	\$54.10	\$35.17
6"	CTEL4506	1.5	P	24	1.0	\$64.30	\$41.80
7"	CTEL4507	1.5	P	24	1.3	\$90.60	\$58.89
8"	CTEL4508	1.5	S	22	3.7	\$97.90	\$63.64
9"	CTEL4509	1.5	S	22	4.8	\$99.70	\$64.81
10"	CTEL4510	1.5	S	22	5.3	\$103.90	\$67.54
11"	CTEL4511	1.5	S	22	6.0	\$109.80	\$71.37
12"	CTEL4512	1.5	S	22	7.3	\$109.80	\$71.37
14"	CTEL4514	1.5	S	20	11.4	\$118.40	\$76.96
16"	CTEL4516	1.5	S	20	13.8	\$158.70	\$103.16
18"	CTEL4518	1.5	S	20	17.8	\$182.60	\$118.69
20"	CTEL4520	1.5	S	20	20.0	\$218.20	\$141.83
22"	CTEL4522	1.5	S	20	23.9	\$250.40	\$162.76
24"	CTEL4524	1.5	S	20	28.0	\$288.10	\$187.27

P= Press Formed S= Segmented CLR= Center Line Radius

45° Elbow - Press Formed

45° Elbow - Segmented

3" 45 Deg. Elbow (1.5 CLR)

3" 45 Deg. Elbow (1.5 CLR)

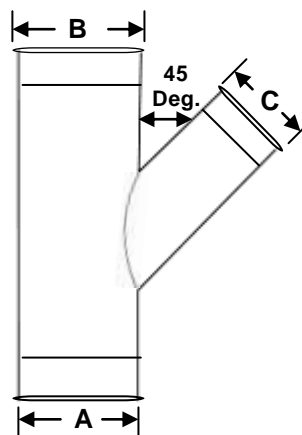
BRANCH

SIZE	PART #	ENDS	GA.	WT.	REG. PRICE	35% OFF
3"	CTB03-XX-XX	CT	22	2.3	\$128.00	\$83.20
4"	CTB04-XX-XX	CT	22	3.0	\$128.00	\$83.20
5"	CTB05-XX-XX	CT	22	3.8	\$134.80	\$87.62
6"	CTB06-XX-XX	CT	22	4.3	\$139.30	\$90.55
7"	CTB07-XX-XX	CT	22	5.0	\$141.50	\$91.98
8"	CTB08-XX-XX	CT	22	6.0	\$144.80	\$94.12
9"	CTB09-XX-XX	CT	22	7.3	\$151.60	\$98.54
10"	CTB10-XX-XX	CT	22	8.5	\$161.70	\$105.11
11"	CTB11-XX-XX	CT	22	9.3	\$179.70	\$116.81
12"	CTB12-XX-XX	CT	20	10.8	\$210.80	\$137.02
14"	CTB14-XX-XX	CT	20	13.5	\$242.70	\$157.76
16"	CTB16-XX-XX	CT	20	17.6	\$264.00	\$171.60
18"	CTB18-XX-XX	CT	20	21.0	\$317.80	\$206.57
20"	CTB20-XX-XX	CT	20	30.0	\$399.70	\$259.81
22"	CTB22-XX-XX	CT	20	39.5	\$459.60	\$298.74
24"	CTB24-XX-XX	CT	20	53.5	\$459.60	\$298.74
26"	CTB26-XX-XX	FL	18	74.0	\$507.60	\$329.94
28"	CTB28-XX-XX	FL	18	98.0	\$649.00	\$421.85
30"	CTB30-XX-XX	FL	18	117.1	\$729.90	\$474.44
CT = CLAMP TOGETHER		FL = FLANGE				

Branch



- All Branches priced by largest end A
- Specify A, B, C
- 45 Degree tap Standard
- **26" and up are flanged.** Additional cost for flange(s)



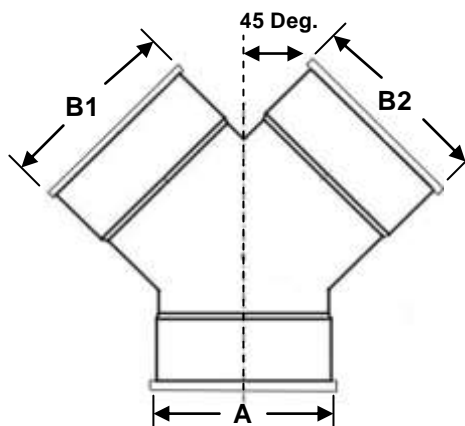
Y BRANCH (PANT LEG DESIGN)

SIZE	PART #	ENDS	GA.	WT.	REG. PRICE	35% OFF
3"	CTY03-XX-XX	CT	22	1.5	\$164.60	\$106.99
4"	CTY04-XX-XX	CT	22	1.8	\$164.60	\$106.99
5"	CTY05-XX-XX	CT	22	2.0	\$173.50	\$112.78
6"	CTY06-XX-XX	CT	22	2.8	\$180.80	\$117.52
7"	CTY07-XX-XX	CT	22	3.3	\$186.10	\$120.97
8"	CTY08-XX-XX	CT	22	4.5	\$194.30	\$126.30
9"	CTY09-XX-XX	CT	22	5.3	\$204.30	\$132.80
10"	CTY10-XX-XX	CT	22	6.8	\$208.20	\$135.33
11"	CTY11-XX-XX	CT	22	8.0	\$239.10	\$155.42
12"	CTY12-XX-XX	CT	20	10.3	\$239.10	\$155.42
14"	CTY14-XX-XX	CT	20	14.0	\$287.90	\$187.14
16"	CTY16-XX-XX	CT	20	17.0	\$320.20	\$208.13
18"	CTY18-XX-XX	CT	20	20.0	\$355.70	\$231.21
20"	CTY20-XX-XX	CT	20	24.5	\$423.20	\$275.08
22"	CTY22-XX-XX	CT	20	29.0	\$486.10	\$315.97
24"	CTY24-XX-XX	CT	20	36.0	\$559.20	\$363.48
26"	CTY26-XX-XX	FL	18	69.0	\$642.90	\$417.89
28"	CTY28-XX-XX	FL	18	93.0	\$738.70	\$480.16
30"	CTY30-XX-XX	FL	18	112.0	\$812.10	\$527.87
CT = CLAMP TOGETHER		FL = FLANGE				

Y Branch



- All Branches priced by largest end A
- Specify A and B
- 45 Degree tap standard
- **26" and up are flanged.** Additional cost for flange(s)

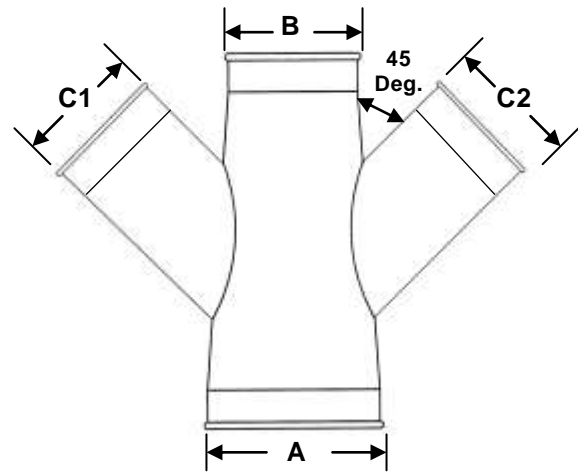


DOUBLE BRANCH

SIZE	PART #	ENDS	GA.	WT.	REG. PRICE	35% OFF
3"	CTDB03-XX-XX-XX	CT	22	2.6	\$163.80	\$106.47
4"	CTDB04-XX-XX-XX	CT	22	3.5	\$163.80	\$106.47
5"	CTDB05-XX-XX-XX	CT	22	4.4	\$172.60	\$112.19
6"	CTDB06-XX-XX-XX	CT	22	5.0	\$180.00	\$117.00
7"	CTDB07-XX-XX-XX	CT	22	6.0	\$185.20	\$120.38
8"	CTDB08-XX-XX-XX	CT	22	7.3	\$193.60	\$125.84
9"	CTDB09-XX-XX-XX	CT	22	8.5	\$203.20	\$132.08
10"	CTDB10-XX-XX-XX	CT	22	10.0	\$207.30	\$134.75
11"	CTDB11-XX-XX-XX	CT	22	10.8	\$237.80	\$154.57
12"	CTDB12-XX-XX-XX	CT	22	12.3	\$237.80	\$154.57
14"	CTDB14-XX-XX-XX	CT	20	15.0	\$286.40	\$186.16
16"	CTDB16-XX-XX-XX	CT	20	19.6	\$318.70	\$207.16
18"	CTDB18-XX-XX-XX	CT	20	26.0	\$354.10	\$230.17
20"	CTDB20-XX-XX-XX	CT	20	35.0	\$421.30	\$273.85
22"	CTDB22-XX-XX-XX	CT	20	49.5	\$483.90	\$314.54
24"	CTDB24-XX-XX-XX	CT	20	68.4	\$556.50	\$361.73
26"	CTDB26-XX-XX-XX	FL	18	104.0	\$639.80	\$415.87
28"	CTDB28-XX-XX-XX	FL	18	128.0	\$735.30	\$477.95
30"	CTDB30-XX-XX-XX	FL	18	153.0	\$808.30	\$525.40
CT = CLAMP TOGETHER			FL = FLANGE			

Double Branch

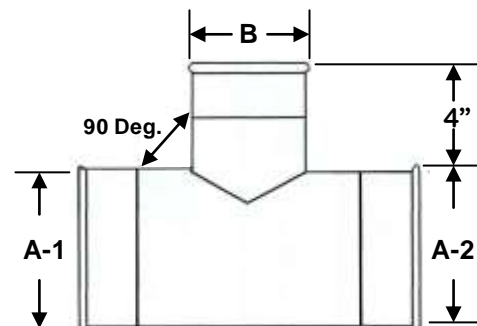

- All branches priced by largest end A
- Specify A, B, C1, C2
- Standard 45 degree taps
- 26" and up are flanged. Additional cost for flange(s)


T-BRANCH

SIZE	PART #	ENDS	GA.	WT.	REG. PRICE	35% OFF
3"	CTT03-XX	CT	22	1.5	\$130.00	\$84.50
4"	CTT04-XX	CT	22	2.0	\$130.00	\$84.50
5"	CTT05-XX	CT	22	2.8	\$136.60	\$88.79
6"	CTT06-XX	CT	22	3.2	\$141.20	\$91.78
7"	CTT07-XX	CT	22	4.0	\$143.40	\$93.21
8"	CTT08-XX	CT	22	4.8	\$147.00	\$95.55
9"	CTT09-XX	CT	22	5.5	\$153.60	\$99.84
10"	CTT10-XX	CT	22	6.0	\$163.80	\$106.47
11"	CTT11-XX	CT	22	7.5	\$182.10	\$118.37
12"	CTT12-XX	CT	22	8.8	\$182.10	\$118.37
14"	CTT14-XX	CT	20	12.0	\$213.90	\$139.04
16"	CTT16-XX	CT	20	14.0	\$246.00	\$159.90
18"	CTT18-XX	CT	20	18.3	\$267.60	\$173.94
20"	CTT20-XX	CT	20	20.5	\$322.20	\$209.43
22"	CTT22-XX	CT	20	24.8	\$405.20	\$263.38
24"	CTT24-XX	CT	20	29.0	\$466.10	\$302.97
26"	CTT26-XX	FL	18	40.3	\$514.70	\$334.56
28"	CTT28-XX	FL	18	45.0	\$658.10	\$427.77
30"	CTT30-XX	FL	18	58.5	\$740.00	\$481.00
CT = CLAMP TOGETHER			FL = FLANGE			

T-Branch


- All branches priced by largest end
- Specify A and B
- Both A ends are the same
- 26" and up are flanged. Additional cost for flange(s)



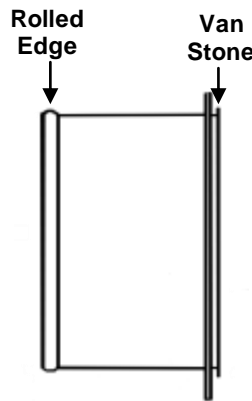
ANGLE FLANGE ADAPTER

DIA.	PART #	APPROX LENGTH	GA	WT.	REG. PRICE	35% OFF
3"	CTAFA03	5.0	22	1.4	\$50.30	\$32.70
4"	CTAFA04	3.5	22	1.7	\$50.30	\$32.70
5"	CTAFA05	3.5	22	2.1	\$52.90	\$34.39
6"	CTAFA06	3.5	22	2.5	\$63.30	\$41.15
7"	CTAFA07	3.5	22	3.1	\$68.40	\$44.46
8"	CTAFA08	3.5	22	3.2	\$71.20	\$46.28
9"	CTAFA09	3.5	22	5.0	\$79.70	\$51.81
10"	CTAFA10	3.5	22	5.6	\$84.00	\$54.60
11"	CTAFA11	3.5	22	6.1	\$93.10	\$60.52
12"	CTAFA12	5.0	22	7.2	\$93.10	\$60.52
13"	CTAFA13	5.0	20	7.0	\$97.10	\$63.12
14"	CTAFA14	5.0	20	7.7	\$97.10	\$63.12
15"	CTAFA15	5.0	20	9.2	\$105.60	\$68.64
16"	CTAFA16	5.0	20	11.0	\$105.60	\$68.64
18"	CTAFA18	5.0	20	15.2	\$114.50	\$74.43
20"	CTAFA20	5.0	20	19.5	\$121.70	\$79.11
22"	CTAFA22	5.0	20	26.1	\$130.30	\$84.70
24"	CTAFA24	5.0	20	30.0	\$149.80	\$97.37

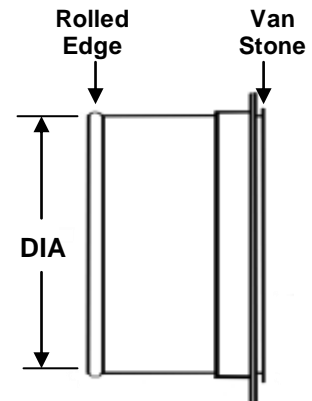
Angle Flange Adapter



- Angle Ring Flange standard (Galv.)
- Optional flat flange
- Specify hole pattern for flat flange (available at additional price)



Flat Flange (Optional)



Standard Angle Ring

IN-CUT SADDLE

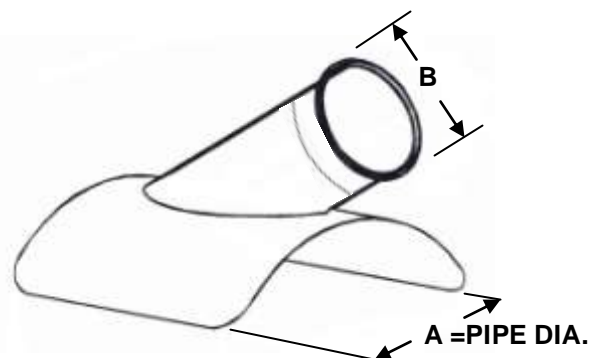
SIZE	PART #	ENDS	GA.	WT.	REG. PRICE	35% OFF
3"	CTIC03-XX	CT	22	1.3	\$57.90	\$37.64
4"	CTIC04-XX	CT	22	1.5	\$57.90	\$37.64
5"	CTIC05-XX	CT	22	2.1	\$59.30	\$38.55
6"	CTIC06-XX	CT	22	2.8	\$63.70	\$41.41
7"	CTIC07-XX	CT	22	3.5	\$67.40	\$43.81
8"	CTIC08-XX	CT	22	4.5	\$70.60	\$45.89
9"	CTIC09-XX	CT	22	5.4	\$73.70	\$47.91
10"	CTIC10-XX	CT	22	6.5	\$79.70	\$51.81
11"	CTIC11-XX	CT	22	7.6	\$85.80	\$55.77
12"	CTIC12-XX	CT	22	8.8	\$85.80	\$55.77
14"	CTIC14-XX	CT	20	13.7	\$97.10	\$63.12
16"	CTIC16-XX	CT	20	17.2	\$109.50	\$71.18
18"	CTIC18-XX	CT	20	21.3	\$121.50	\$78.98
20"	CTIC20-XX	CT	20	25.6	\$193.20	\$125.58
22"	CTIC22-XX	CT	20	30.5	\$265.80	\$172.77
24"	CTIC24-XX	CT	20	35.4	\$305.90	\$198.84
26"	CTIC26-XX	FL	18	40.3	\$385.40	\$250.51
28"	CTIC28-XX	FL	18	45.0	\$421.30	\$273.85
30"	CTIC30-XX	FL	18	56.5	\$466.10	\$302.97

CT = CLAMP TOGETHER FL = FLANGE

In-Cut



- Priced by B diameter
- Specify B diameter and A pipe diameter
- Standard rolled end
- 30°, 45°, 60° angles available
- 26" and up are flanged. Additional cost for flange(s)



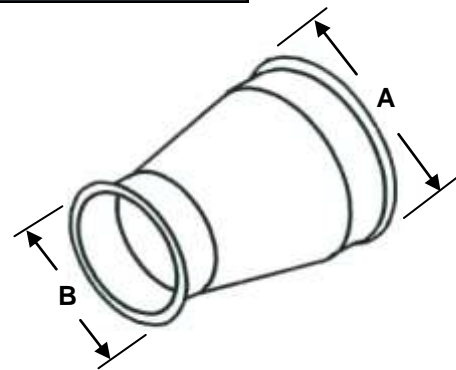
REDUCER

SIZE	PART #	GA.	WT.	REG. PRICE	35% OFF
4"	CTR04-XX	22	1.3	\$54.10	\$35.17
5"	CTR05-XX	22	1.5	\$55.10	\$35.82
6"	CTR06-XX	22	1.8	\$58.00	\$37.70
7"	CTR07-XX	22	2.0	\$58.40	\$37.96
8"	CTR08-XX	22	2.3	\$59.50	\$38.68
9"	CTR09-XX	22	2.5	\$67.40	\$43.81
10"	CTR10-XX	22	3.0	\$68.50	\$44.53
11"	CTR11-XX	22	3.5	\$80.70	\$52.46
12"	CTR12-XX	20	3.8	\$80.70	\$52.46
14"	CTR14-XX	20	4.5	\$96.20	\$62.53
16"	CTR16-XX	20	7.0	\$132.70	\$86.26
18"	CTR18-XX	20	21.0	\$138.40	\$89.96
20"	CTR20-XX	20	30.0	\$147.10	\$95.62
22"	CTR22-XX	20	39.5	\$167.60	\$108.94
24"	CTR24-XX	20	53.5	\$184.70	\$120.06

Reducer



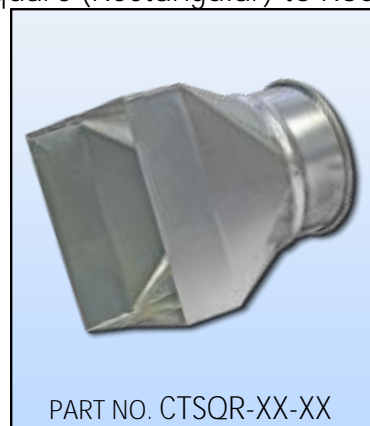
- Priced by largest end A
- Specify A, B, Diameter



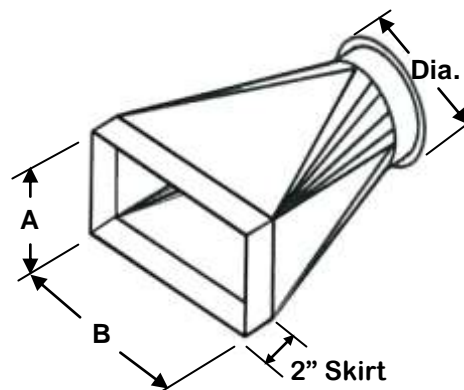
SQUARE TO ROUND TRANSITION

SIZE	PART #	GA.	WT.	REG. PRICE	35% OFF
4"	CTSQ04-XX-XX	22	1.3	\$112.30	\$73.00
5"	CTSQ05-XX-XX	22	1.5	\$116.50	\$75.73
6"	CTSQ06-XX-XX	22	1.8	\$120.70	\$78.46
7"	CTSQ07-XX-XX	22	2.0	\$128.50	\$83.53
8"	CTSQ08-XX-XX	22	2.3	\$134.20	\$87.23
9"	CTSQ09-XX-XX	22	2.5	\$139.00	\$90.35
10"	CTSQ10-XX-XX	22	3.0	\$143.90	\$93.54
11"	CTSQ11-XX-XX	22	3.5	\$146.60	\$95.29
12"	CTSQ12-XX-XX	20	3.8	\$146.60	\$95.29
14"	CTSQ14-XX-XX	20	4.5	\$151.90	\$98.74
16"	CTSQ16-XX-XX	20	7.0	\$159.40	\$103.61
18"	CTSQ18-XX-XX	20	21.0	\$164.20	\$106.73
20"	CTSQ20-XX-XX	20	30.0	\$169.80	\$110.37
22"	CTSQ22-XX-XX	20	39.5	\$203.10	\$132.02
24"	CTSQ24-XX-XX	20	53.5	\$233.90	\$152.04

Square (Rectangular) to Round



- Priced by round end Dia.
- Specify A, B dimension
- Square (rectangular) ends to be approx. size of round end
- Standard with 2" skirt raw edge
- Angle flange available at additional cost



BLAST GATE MANUAL CAST ALUMINIM

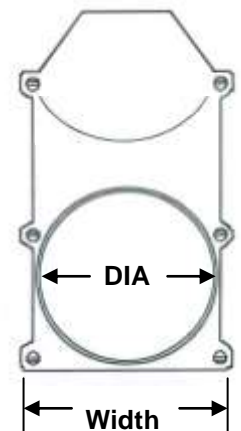
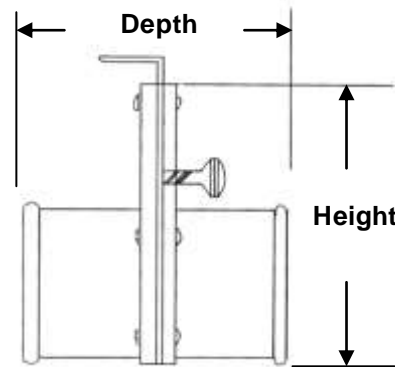
DIA	PART #	ENDS	WIDTH	HGT.	DEPTH	WT.	REG. PRICE	35% OFF
3"	BGFRE03	CT	4.01	5.61	6.18	1.4	\$39.40	\$25.61
4"	BGFRE04	CT	5.00	6.86	5.66	1.8	\$39.40	\$25.61
5"	BGFRE05	CT	6.00	8.00	5.17	2.4	\$41.00	\$26.65
6"	BGFRE06	CT	7.00	10.00	5.70	3.4	\$53.90	\$35.04
7"	BGFRE07	CT	8.00	11.25	5.06	4.4	\$63.80	\$41.47
8"	BGFRE08	CT	9.63	12.63	5.82	5.6	\$75.50	\$49.08
9"	BGFRE09	CT	10.62	13.60	5.33	7.6	\$104.50	\$67.93
10"	BGFRE10	CT	11.38	14.38	5.99	8.4	\$132.80	\$86.32
11"	BGFRE11	CT	12.31	15.38	5.42	7.4	\$172.40	\$112.06
12"	BGFRE12	CT	13.25	16.25	6.06	10.4	\$172.40	\$112.06
14"	BGFRE14	CT	15.76	18.97	6.26	14.2	\$255.30	\$165.95
16"	BGFRE16	CT	17.90	21.28	5.97	18.4	\$371.50	\$241.48
18"	BGFRE18	CT	20.23	32.82	9.04	22.4	\$472.00	\$306.80
20"	BGFRE20	CT	22.37	34.25	9.16	26.4	\$584.80	\$380.12
22"	BGFRE22	CT	24.60	34.21	9.11	30.0	\$638.40	\$414.96
24"	BGFRE24	CT	26.65	34.38	9.15	34.4	\$754.40	\$490.36
26"	BGFRE18	FL	29.25	CALL	CALL	62.0	\$1,440.00	\$936.00
28"	BGFRE20	FL	30.25	CALL	CALL	72.0	\$1,666.80	\$1,083.42
30"	BGFRE22	FL	33.25	CALL	CALL	97.0	\$2,045.70	\$1,329.71

CT = CLAMP TOGETHER FL = FLANGE

Die Cast Aluminum Blast Gate



- Manually operated
- Aluminum body, galvanized blade
- Clamp together rolled end collars



BLAST GATE ALL 304 STAINLESS

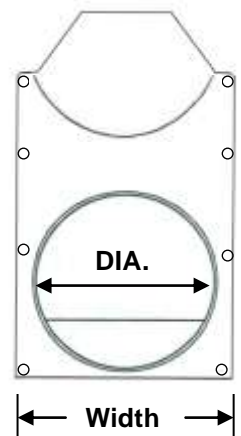
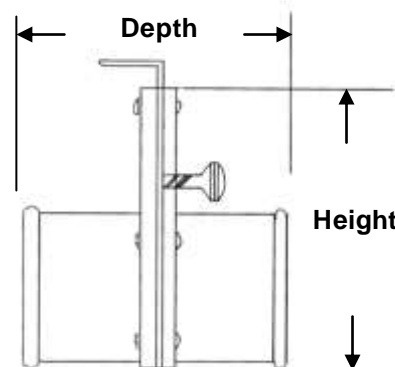
DIA	PART #	ENDS	WIDTH	HGT.	DEPTH	WT.	REG. PRICE	35% OFF
3"	BGRE03SS	CT	5.0	6.0	5.3	1.5	\$173.90	\$113.04
4"	BGRE04SS	CT	6.0	7.5	5.3	2.3	\$173.90	\$113.04
5"	BGRE05SS	CT	7.0	10.5	5.0	3.0	\$204.00	\$132.60
6"	BGRE06SS	CT	8.0	11.0	5.0	3.8	\$277.00	\$180.05
7"	BGRE07SS	CT	9.0	12.0	5.0	4.5	\$290.30	\$188.70
8"	BGRE08SS	CT	10.0	13.5	5.0	5.5	\$294.70	\$191.56
9"	BGRE09SS	CT	11.0	15.0	5.0	7.0	\$379.50	\$246.68
10"	BGRE10SS	CT	12.0	17.0	5.0	7.5	\$409.70	\$266.31
11"	BGRE11SS	CT	13.0	19.0	5.0	9.5	\$517.90	\$336.64
12"	BGRE12SS	CT	14.0	20.5	5.0	13.0	\$517.90	\$336.64
14"	BGRE14SS	CT	16.0	23.3	5.0	16.0	\$598.30	\$388.90
16"	BGRE16SS	CT	CALL	CALL	CALL	21.2	\$1,112.00	\$722.80
18"	BGRE18SS	CT	CALL	CALL	CALL	25.0	\$1,226.00	\$796.90
20"	BGRE20SS	CT	CALL	CALL	CALL	30.0	\$1,179.00	\$766.35
22"	BGRE22SS	CT	CALL	CALL	CALL	34.0	\$1,826.00	\$1,186.90
24"	BGRE24SS	CT	CALL	CALL	CALL	38.0	\$1,878.00	\$1,220.70
26"	BGRE26SS	FL	CALL	CALL	CALL	62.0	CALL	CALL
28"	BGRE28SS	FL	CALL	CALL	CALL	72.0	CALL	CALL
30"	BGRE30SS	FL	CALL	CALL	CALL	97.0	CALL	CALL

CT = CLAMP TOGETHER FL = FLANGE

All Stainless Blast Gate



- Manually operated
- All stainless Steel
- 12 gauge stainless body, 12 gauge slide blade
- Clamp together rolled end collars



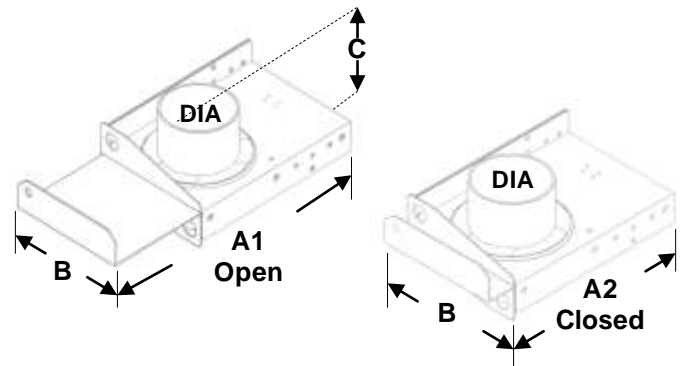
GALVANIZED AIR SEAL MANUAL BLAST GATE W/ UHMW SEALS

DIA	PART #	A1 INCH	A2 INCH	B INCH	C INCH	WT. GALV.	REG. PRICE	35% OFF
3"	BGASM03RE	14.56	9.68	6.00	5.86	4.8	\$371.10	\$241.22
4"	BGASM04RE	15.43	11.31	7.00	5.83	6.2	\$371.10	\$241.22
5"	BGASM05RE	18.31	11.37	7.93	5.84	7.8	\$392.10	\$254.87
6"	BGASM06RE	21.43	15.31	8.93	5.94	9.4	\$403.00	\$261.95
7"	BGASM07RE	23.43	15.31	9.00	5.68	15.0	\$432.60	\$281.19
8"	BGASM08RE	29.06	19.94	10.87	6.06	14.0	\$447.30	\$290.75
9"	BGASM09RE	31.06	21.00	12.00	5.68	28.0	\$475.00	\$308.75
10"	BGASM10RE	33.06	23.68	14.62	5.79	27.0	\$530.20	\$344.63
12"	BGASM12RE	40.18	28.19	16.56	5.79	35.8	\$549.20	\$356.98
14"	BGASM14RE	47.50	33.50	17.88	6.68	41.8	\$564.20	\$366.73
16"	BGASM16RE	53.50	37.50	19.88	6.68	47.8	\$600.10	\$390.07
18"	BGASM18RE	59.50	41.50	21.88	6.68	53.8	\$651.49	\$423.47
20"	BGASM20RE	65.50	45.50	23.88	6.68	59.8	\$714.93	\$464.70
22"	BGASM22RE	71.50	49.50	25.88	6.68	65.8	\$768.98	\$499.84

UHMW Galvanized Sealed Blast Gate



- Very low leakage
- Self cleaning for dust & fumes
- Galvanized construction with rolled ends
- Internal UHMW "ultra high molecular weight" seals



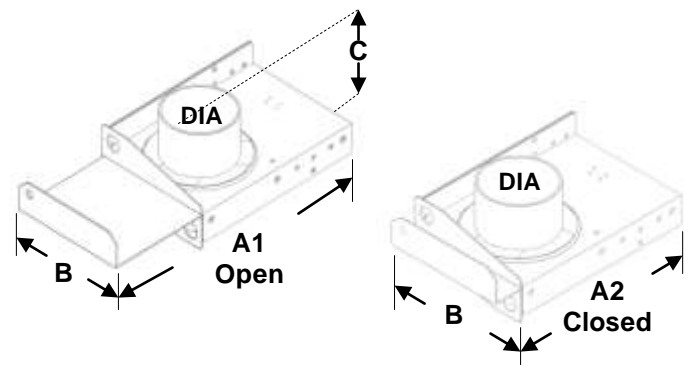
STAINLESS STEEL AIR SEAL MANUAL BLAST GATE W/ UHMW SEALS

DIA	PART #	A1 INCH	A2 INCH	B INCH	C INCH	WT. SS 304	REG. PRICE	35% OFF
3"	BGASM03RESS	14.56	9.68	6.00	5.86	4.8	\$636.40	\$413.66
4"	BGASM04RESS	15.43	11.31	7.00	5.83	6.2	\$636.40	\$413.66
5"	BGASM05RESS	18.31	11.37	7.93	5.84	7.8	\$672.80	\$437.32
6"	BGASM06RESS	21.43	15.31	8.93	5.94	9.4	\$691.00	\$449.15
7"	BGASM07RESS	23.43	15.31	9.00	5.68	15.0	\$741.80	\$482.17
8"	BGASM08RESS	29.06	19.94	10.87	6.06	14.0	\$767.20	\$498.68
9"	BGASM09RESS	31.06	21.00	12.00	5.68	28.0	\$814.60	\$529.49
10"	BGASM10RESS	33.06	23.68	14.62	5.79	27.0	\$909.10	\$590.92
12"	BGASM12RESS	40.18	28.19	16.56	5.79	35.8	\$941.80	\$612.17
14"	BGASM14RESS	47.50	33.50	17.88	6.68	41.8	\$967.30	\$628.75
16"	BGASM16RESS	53.50	37.50	19.88	6.68	47.8	\$1,014.90	\$659.69
18"	BGASM18RESS	59.50	41.50	21.88	6.68	53.8	\$1,043.78	\$678.46
20"	BGASM20RESS	65.50	45.50	23.88	6.68	59.8	\$1,159.06	\$753.39
22"	BGASM22RESS	71.50	49.50	25.88	6.68	65.8	\$1,249.42	\$812.12

UHMW Stainless Sealed Blast Gate



- Very low leakage
- Self cleaning for dust & fumes
- 304 Stainless with rolled ends
- Internal UHMW "ultra high molecular weight" seals



AUTOMATIC DIE CAST ALUMINUM PNEUMATIC BLAST GATE

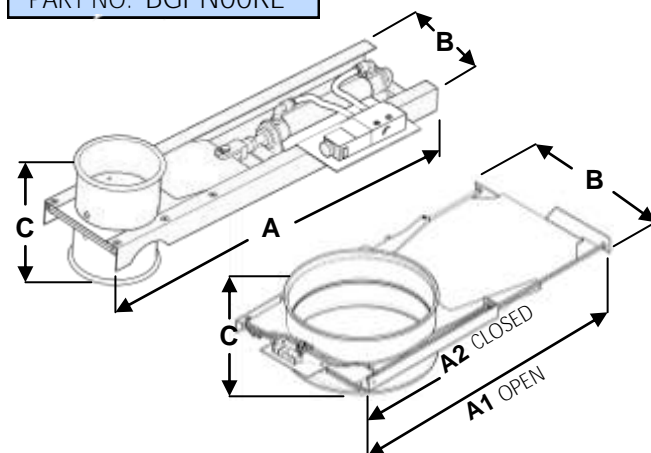
DIA	PART #	SINGLE CYLINDER			DOUBLE CYLINDER				WT.	REG. PRICE	35% OFF
		A INCH	B INCH	C INCH	A1 INCH	A2 INCH	B INCH	C INCH			
3"	BGPN03RE	18.81	3.80	6.18	-	-	-	-	3.8	\$618.60	\$402.09
4"	BGPN04RE	21.76	4.11	5.66	-	-	-	-	4.8	\$618.60	\$402.09
5"	BGPN05RE	25.28	5.09	5.17	-	-	-	-	5.2	\$630.90	\$410.09
6"	BGPN06RE	27.81	6.10	5.70	-	-	-	-	7.0	\$630.90	\$410.09
7"	BGPN07RE	31.53	7.10	5.06	-	-	-	-	8.2	\$680.40	\$442.26
8"	BGPN08RE	-	-	-	22.50	13.50	11.60	5.82	8.5	\$742.20	\$482.43
9"	BGPN09RE	-	-	-	24.50	14.38	12.60	5.33	8.5	\$773.30	\$502.65
10"	BGPN10RE	-	-	-	27.60	15.38	13.37	5.99	10.5	\$773.30	\$502.65
12"	BGPN12RE	-	-	-	30.57	17.31	13.26	6.03	13.7	\$804.20	\$522.73
14"	BGPN14RE	-	-	-	35.49	20.00	17.99	6.26	15.8	\$897.00	\$583.05
16"	BGPN16RE	-	-	-	39.79	22.25	20.11	5.97	17.9	\$1,002.00	\$651.30
18"	BGPN18RE	-	-	-	42.13	24.13	21.98	9.04	20.1	\$1,113.40	\$723.71
20"	BGPN20RE	-	-	-	44.93	24.93	24.40	9.16	22.3	\$1,200.00	\$780.00
22"	BGPN22RE	-	-	-	49.10	27.10	27.00	9.11	24.5	\$1,311.30	\$852.35
24"	BGPN24RE	-	-	-	53.17	29.17	29.20	9.15	26.7	\$1,459.80	\$948.87

Stainless Steel Available
All cylinders have internal magnets

Automatic Die Cast Aluminum Pneumatic



- Cast aluminum body w/ galv. slide blade, rolled edges
- Operated by 90-100 P.S.I. compressed air
- 120VAC or 240VDC electric coil, please specify
- Designed for dust & fumes
- Single cylinders 3" to 7". Double cylinder (compact series) 8" to 24"

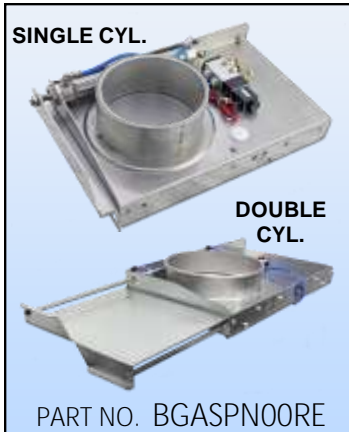


AUTOMATIC GALVANIZED AIR SEAL PNEUMATIC BLAST GATE W/UMHW SEALS

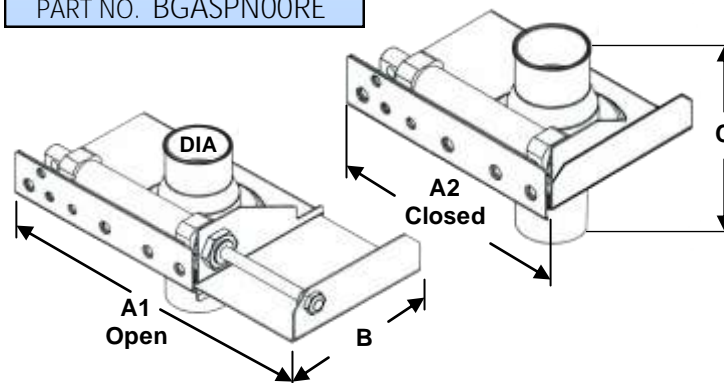
DIA	PART #	CYL	A1 INCH	A2 INCH	B INCH	C INCH	WT.	REG. PRICE	35% OFF
3"	BGASPN03RE	1	14.57	10.32	6.00	5.86	4.8	\$889.90	\$578.44
4"	BGASPN04RE	1	15.45	10.32	7.00	5.83	6.2	\$889.90	\$578.44
5"	BGASPN05RE	1	18.32	12.32	7.94	5.84	7.8	\$934.40	\$607.36
6"	BGASPN06RE	1	21.43	14.25	8.94	5.94	7.8	\$934.40	\$607.36
7"	BGASPN07RE	1	29.07	18.13	10.88	5.68	9.4	\$956.70	\$621.86
8"	BGASPN08RE	1	29.07	18.13	10.88	6.06	14.0	\$956.70	\$621.86
10"	BGASPN10RE	2	32.07	22.13	14.63	5.79	27.0	\$1,029.00	\$668.85
12"	BGASPN12RE	2	40.18	27.18	16.56	5.79	35.8	\$1,056.80	\$686.92
14"	BGASPN14RE	2	47.50	33.50	17.88	6.68	41.8	\$1,179.10	\$766.42
16"	BGASPN16RE	2	53.50	37.50	19.88	6.68	27.8	\$1,334.90	\$867.69
18"	BGASPN18RE	2	59.50	41.50	21.88	6.68	53.8	\$1,435.00	\$932.75
20"	BGASPN20RE	2	65.50	45.50	23.88	6.68	59.8	\$1,557.40	\$1,012.31
22"	BGASPN22RE	2	71.50	49.50	25.88	6.68	65.8	\$1,613.00	\$1,048.45
24"	BGASPN24RE	2	77.50	53.50	27.88	6.68	71.8	\$1,690.20	\$1,098.63

Stainless steel available
All cylinders have internal magnets

Automatic Galv. Pneumatic Blast Gate



- UHMW (Ultra High Molecular Weight) seals
- Very low leakage
- Designed for dust & fumes
- 120VAC or 24VDC valve/coil. Please specify
- Single cylinder 3" to 7" Double cylinder 8" to 24"
- All galv. w/ rolled edges



REED SWITCH W/MOUNTING STRAP

PART #	PRICE (SET OF 2)	35% OFF PRICE
BGRS02	\$93.50	\$60.78

- Senses when blast Gate is open/closed
- Used with all automatic Blast Gates

RUBBER HOSE, BLACK

DIA.	PART #	WT. PER FT.	REG. PRICE	35% OFF PER FT.
2"	HT702	0.2	\$4.60	\$2.99
2.5"	HT72.5	0.3	\$6.17	\$4.01
3"	HT703	0.3	\$6.86	\$4.46
3.5"	HT73.5	0.4	\$8.83	\$5.74
4"	HT704	0.5	\$8.87	\$5.77
5"	HT705	0.6	\$9.42	\$6.12
6"	HT706	0.9	\$10.39	\$6.75
7"	HT707	1.0	\$11.84	\$7.70
8"	HT708	1.0	\$13.38	\$8.70
10"	HT710	1.6	\$17.72	\$11.52
12"	HT712	2.0	\$21.20	\$13.78
PRICED PER FOOT				

Black Rubber Hose



PART NO. HT700

- Black flexible hose w/ steel helix
- Dust, materials, fumes
- **Sold in 5' increments**
- Use CTHA hose adapter with this hose (see page 12)
- Larger diameter hose is available

Standard Hose Clamp - Stainless



PART NO. HC00

- All stainless steel construction

RUBBER HOSE, CLEAR

DIA.	PART #	WT. PER FT.	REG. PRICE	35% OFF PER FT.
2"	HR402	0.2	\$4.60	\$2.99
2.5"	HR402.5	0.3	\$6.34	\$4.12
3"	HR403	0.3	\$7.08	\$4.60
4"	HR404	0.5	\$8.06	\$5.24
5"	HR405	0.6	\$9.04	\$5.88
6"	HR406	0.9	\$9.46	\$6.15
7"	HR407	1.0	\$11.78	\$7.66
8"	HR408	1.0	\$13.20	\$8.58
10"	HR410	1.6	\$16.74	\$10.88
12"	HR412	2.0	\$20.29	\$13.19
PRICED PER FOOT				

Clear Rubber Hose



PART NO. HR400

- Clear FDA approved flexible rubber hose w/ steel helix
- Dust, materials, fumes
- **Sold in 5' increments**
- Use CTHA hose adapter with this hose (see page 12)

STAINLESS HOSE CLAMP

DIA.	PART #	WT.	REG. PRICE	35% OFF
2"	HC02	0.05	\$2.80	\$1.82
2.5"	HC2.5	0.06	\$2.80	\$1.82
3"	HC03	0.06	\$2.80	\$1.82
4"	HC04	0.07	\$4.50	\$2.93
5"	HC05	0.08	\$4.50	\$2.93
6"	HC06	0.09	\$5.60	\$3.64
7"	HC07	0.10	\$6.70	\$4.36
8"	HC08	0.14	\$8.40	\$5.46
10"	HC10	0.17	\$9.50	\$6.18
12"	HC12	0.20	\$13.70	\$8.91

Bridge Clamp - Stainless



PART NO. BC00

- Conforms over wire helix for a more secure fit
- All stainless steel

ATEX POLYFLEX 30

DIA.	PART #	WT. PER FT.	REG. PRICE	35% OFF PER FT.
2"	HATEX3002	0.3	\$10.77	\$7.00
2.5"	HATEX3002.5	0.4	\$12.55	\$8.16
3"	HATEX3003	0.5	\$12.60	\$8.19
4"	HATEX3004	0.8	\$15.89	\$10.33
5"	HATEX3005	1.0	\$19.02	\$12.36
6"	HATEX3006	1.5	\$23.48	\$15.26
7"	HATEX3007	1.5	\$24.00	\$15.60
8"	HATEX3008	2.0	\$24.30	\$15.80
10"	HATEX3010	2.0	\$33.94	\$22.06
12"	HATEX3012	3.0	\$37.58	\$24.43
14"	HATEX3014	3.5	\$47.18	\$30.67
16"	HATEX3016	4.0	\$59.11	\$38.42
18"	HATEX3018	5.0	\$72.35	\$47.03
PRICED PER FOOT				

ATEX Polyflex 30



PART NO. HATEX3000

- ATEX Certified for combustible dusts (wood dust, powders, plastics)
- Anti-static $<10^9 \Omega$, Fire Retardant
- Highly abrasive resistant polyurethane. Spring Steel Helix
- Replaces standard urethane, PVC & thermo plastic hoses.
- Temp -25° F to 225° F Wall .031

BRIDGE HOSE CLAMP

DIA.	PART #	WT.	REG. PRICE	35% OFF
2"	BC02	0.2	\$6.15	\$4.00
2.5"	BC2.5	0.3	\$6.66	\$4.33
3"	BC03	0.3	\$6.56	\$4.26
3.5"	BC3.5	0.4	\$7.28	\$4.73
4"	BC04	0.5	\$7.28	\$4.73
5"	BC05	0.6	\$7.99	\$5.19
6"	BC06	0.7	\$9.94	\$6.46
7"	BC07	0.9	\$11.28	\$7.33
8"	BC08	1.0	\$12.20	\$7.93
10"	BC10	1.0	\$14.35	\$9.33
12"	BC12	1.2	\$20.71	\$13.46

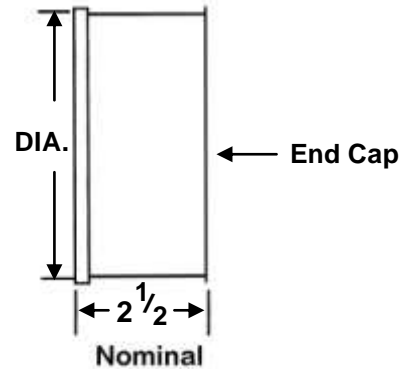
END CAP

DIA.	PART #	GA.	WT.	REG. PRICE	35% OFF
3"	CTEC03	18	0.3	\$16.50	\$10.73
4"	CTEC04	22	0.4	\$16.50	\$10.73
5"	CTEC05	22	0.5	\$17.80	\$11.57
6"	CTEC06	22	0.7	\$20.10	\$13.07
7"	CTEC07	22	0.9	\$22.60	\$14.69
8"	CTEC08	22	1.1	\$23.90	\$15.54
9"	CTEC09	22	1.4	\$26.10	\$16.97
10"	CTEC10	22	1.7	\$27.30	\$17.75
11"	CTEC11	22	1.9	\$28.80	\$18.72
12"	CTEC12	22	2.1	\$28.80	\$18.72
14"	CTEC14	20	3.1	\$30.70	\$19.96
16"	CTEC16	20	4.0	\$32.30	\$21.00
18"	CTEC18	20	4.9	\$34.30	\$22.30
20"	CTEC20	20	5.5	\$36.50	\$23.73
22"	CTEC22	20	6.3	\$37.60	\$24.44
24"	CTEC24	20	7.9	\$43.50	\$28.28

End Cap



- End Caps enable users to close off taps for future use
- End Caps larger than 24" will be a flat plate and angle rings. Call for pricing



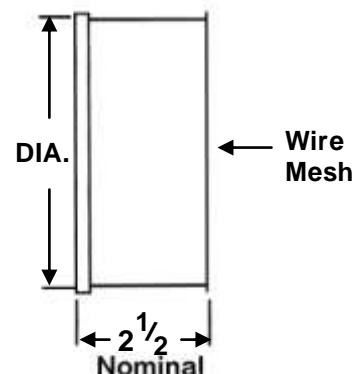
END CAP WITH BIRD SCREEN

DIA.	PART #	GA.	WT.	REG. PRICE	35% OFF
3"	CTECBS03	18	0.3	\$41.70	\$27.11
4"	CTECBS04	22	0.3	\$41.70	\$27.11
5"	CTECBS05	22	0.4	\$43.50	\$28.28
6"	CTECBS06	22	0.5	\$45.10	\$29.32
7"	CTECBS07	22	0.6	\$48.20	\$31.33
8"	CTECBS08	22	0.7	\$49.40	\$32.11
9"	CTECBS09	22	0.8	\$51.60	\$33.54
10"	CTECBS10	22	0.9	\$52.70	\$34.26
11"	CTECBS11	22	1.0	\$54.40	\$35.36
12"	CTECBS12	22	1.0	\$54.40	\$35.36
14"	CTECBS14	20	1.3	\$56.10	\$36.47
16"	CTECBS16	20	1.5	\$57.50	\$37.38
18"	CTECBS18	20	1.8	\$59.90	\$38.94
20"	CTECBS20	20	1.9	\$61.80	\$40.17
22"	CTECBS22	20	2.1	\$63.10	\$41.02
24"	CTECBS24	20	2.9	\$72.40	\$47.06

End Cap With Bird Screen

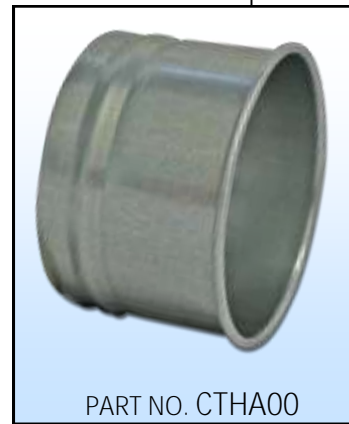


- End Caps with bird screen 1/2" wire mesh
- End Caps larger than 24" will have expanded metal. Call for pricing

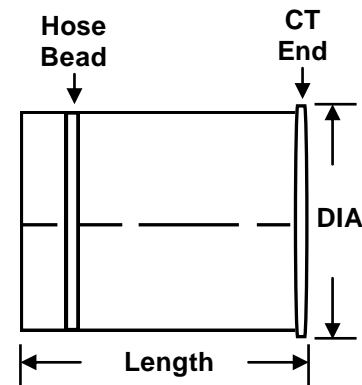


HOSE ADAPTER

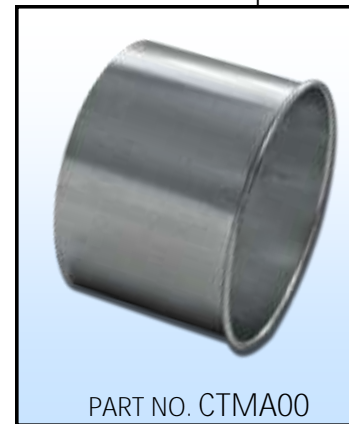
DIA	PART #	APPROX. LENGTH	GA.	WT.	REG. PRICE	35% OFF
3"	CTHA03	5.5	22	0.6	\$24.10	\$15.67
4"	CTHA04	4.0	22	0.8	\$24.10	\$15.67
5"	CTHA05	4.0	22	1.0	\$26.90	\$17.49
6"	CTHA06	4.0	22	1.1	\$31.60	\$20.54
7"	CTHA07	4.0	22	1.3	\$34.10	\$22.17
8"	CTHA08	4.0	22	1.5	\$36.50	\$23.73
9"	CTHA09	4.0	22	1.7	\$38.60	\$25.09
10"	CTHA10	4.0	22	2.0	\$41.00	\$26.65
11"	CTHA11	4.0	22	2.1	\$43.90	\$28.54
12"	CTHA12	4.0	22	2.3	\$43.90	\$28.54
14"	CTHA14	5.5	20	2.7	\$46.30	\$30.10
16"	CTHA16	5.5	20	3.2	\$48.50	\$31.53
18"	CTHA18	5.5	20	3.5	\$53.50	\$34.78
20"	CTHA20	5.5	20	4.0	\$55.20	\$35.88
22"	CTHA22	5.5	20	4.3	\$60.80	\$39.52
24"	CTHA24	5.5	20	5.6	\$69.80	\$45.37

Hose Adapter


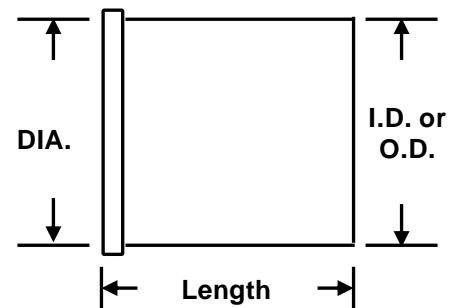
- Used to connect rubber flex hose
- Not designed for use with metal flex hose


MACHINE ADAPTER

DIA	PART #	RAW ID	RAW OD	GA.	WT.	REG. PRICE	35% OFF
3"	CTMA03	2.90"	3.00"	22	0.6	\$23.80	\$15.47
4"	CTMA04	3.86"	3.93"	22	0.8	\$23.80	\$15.47
5"	CTMA05	4.87"	4.94"	22	1.0	\$26.40	\$17.16
6"	CTMA06	5.89"	5.96"	22	1.1	\$31.00	\$20.15
7"	CTMA07	6.89"	6.96"	22	1.4	\$33.20	\$21.58
8"	CTMA08	7.88"	7.95"	22	1.5	\$35.80	\$23.27
9"	CTMA09	8.88"	8.95"	22	1.8	\$37.90	\$24.64
10"	CTMA10	9.89"	9.95"	22	2.0	\$40.40	\$26.26
11"	CTMA11	10.88"	10.94"	22	2.1	\$43.00	\$27.95
12"	CTMA12	11.97"	12.04"	22	2.3	\$43.00	\$27.95
14"	CTMA14	13.96"	14.04"	20	2.7	\$45.50	\$29.58
16"	CTMA16	15.97"	16.04"	20	3.2	\$47.60	\$30.94
18"	CTMA18	17.96"	18.04"	20	3.5	\$52.50	\$34.13
20"	CTMA20	19.96"	20.04"	20	3.9	\$54.30	\$35.30
22"	CTMA22	21.97"	22.05"	20	4.3	\$59.60	\$38.74
24"	CTMA24	23.94"	24.02"	20	5.6	\$68.70	\$44.66

Machine Adapter


- Standard style is one end raw, Other end is rolled
- Approx. lengths 4" - 5.5"
- Please specify I.D. or O.D.
- Size required



FLOOR SWEEPS

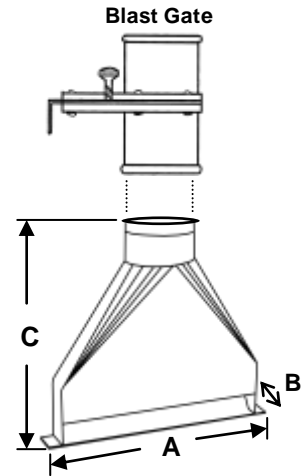
SIZE	PART #	ENDS	A INCH	B INCH	C INCH	WT.	PRICE	35% OFF
4"	CTFS04	CT	12	1.5	18	6.9	\$220.40	\$143.26
5"	CTFS05	CT	16	1.5	18	7.3	\$231.50	\$150.48
6"	CTFS06	CT	16	1.5	18	7.6	\$242.30	\$157.50

CT = CLAMP TOGETHER ~ ADDITIONAL SIZES AVAILABLE

Floor Sweeps

- Quick and effective floor cleaning
- Blast Gate required to close Floor Sweep
- Blast Gate sold separately

Floor Sweeps

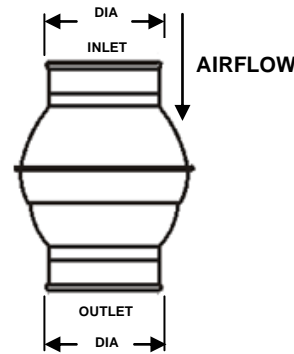


BALL JOINTS

SIZE	PART #	LENGTH	WT.	REG. PRICE	35% OFF
3"	CTBJ03	8.87	1.0	\$190.42	\$123.77
4"	CTBJ04	9.50	2.1	\$199.20	\$129.48
5"	CTBJ05	11.00	3.2	\$225.39	\$146.50
6"	CTBJ06	11.75	3.9	\$251.70	\$163.61
7"	CTBJ07	11.37	4.0	\$293.49	\$190.77
8"	CTBJ08	14.00	5.0	\$335.30	\$217.95
9"	CTBJ09	14.37	6.0	\$387.23	\$251.70
10"	CTBJ10	14.25	9.0	\$440.30	\$286.20
12"	CTBJ12	15.25	9.3	\$492.70	\$320.26

CT = CLAMP TOGETHER WT= LBS

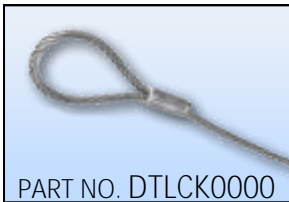
Ball Joints



Ball Joints

- Extends life of Flex hose
- Used on CNC machines or other articulating equipment
- Zinc plated

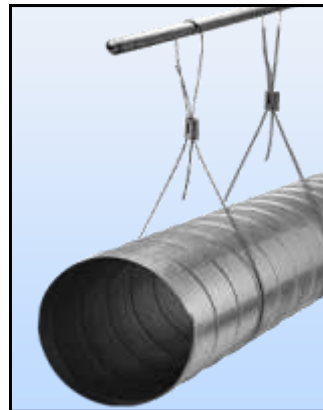
LOOPED CABLE



- Sold as a kit with a cable lock
- 15 ft long

PART #	MAX LOAD	LOCK	REG. PRICE 1 PACK	35% OFF
DTLCK33215	25-150 LBS	CL12	\$11.00	\$7.15
DTLCK1815	25-250 LBS	CL18	\$13.20	\$8.58

CABLE DUCT HANGER



KV BRACKET



- KV Bracket must be hung at a 90 degree angle to the suspension point
- Used for hanging rectangular duct

PART #	MAX LOAD	REG. PRICE 10 CT.	35% OFF 10 CT.
DTKV12	150 LBS	\$33.12	\$21.53

CABLE



- Aviation grade galvanized wire rope

DIA	PART #	FT/ROLL	REG. PRICE	35% OFF
3/32	DTWR332500	500 FT	\$108.22	\$70.34
1/8	DTWR18500	500 FT	\$121.36	\$78.88
3/16	DTWR316250	250 FT	\$108.11	\$70.27

CABLE LOCKS



PART #	MAX LOAD	REG. PRICE 10 CT	35% OFF
DTCL12	150 LBS	\$25.56	\$16.61
DTCL18	250 LBS	\$40.24	\$26.16
DTCL23	640 LBS	\$57.94	\$37.66

CABLE CUTTER



- Spring loaded for ease of use and safety

PART #	REG. PRICE	35% OFF
DTRWC	\$55.20	\$35.88

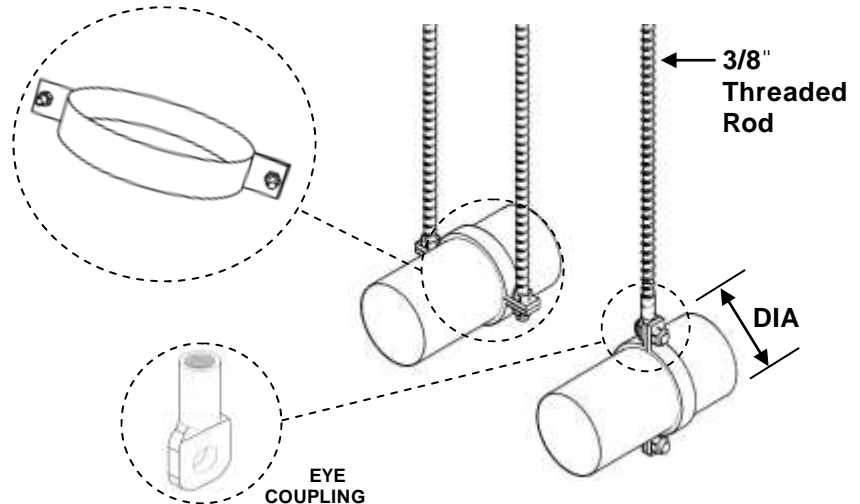
PIPE HANGER

DIA	PART #	WT.	REG. PRICE	35% OFF
3"	HR03	0.4	\$7.90	\$5.14
4"	HR04	0.5	\$7.90	\$5.14
6"	HR06	0.5	\$10.00	\$6.50
7"	HR07	0.6	\$10.00	\$6.50
8"	HR08	0.7	\$12.00	\$7.80
9"	HR09	0.8	\$14.90	\$9.69
10"	HR10	0.9	\$15.60	\$10.14
11"	HR11	1.0	\$17.40	\$11.31
12"	HR12	1.0	\$17.40	\$11.31
14"	HR14	1.2	\$19.80	\$12.87
16"	HR16	1.4	\$25.70	\$16.71
18"	HR18	1.5	\$27.30	\$17.75
20"	HR20	1.8	\$29.90	\$19.44
22"	HR22	6.0	\$36.80	\$23.92
24"	HR24	6.0	\$42.10	\$27.37

Pipe Hanger



- 1 1/2" Wide 14 gauge galvanized construction
- Can be used as a single or double rod hanger



EYE COUPLING

DIA	PART #	WT.	REG. PRICE	35% OFF
3/8"	TREC38E	0.2	\$2.05	\$1.33

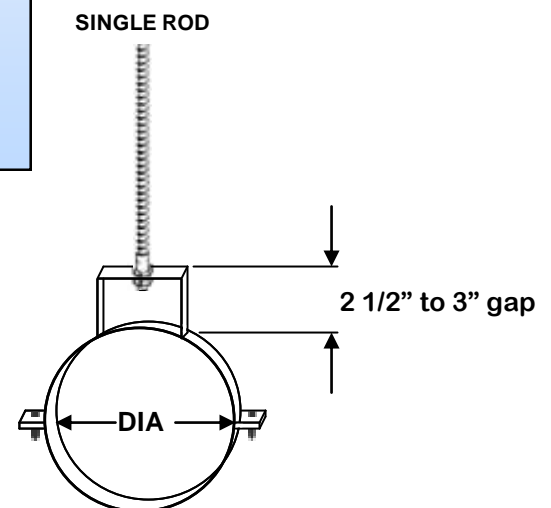
PIPE HANGER HJ

DIA	PART #	WT.	REG. PRICE	35% OFF
3"	CTHJ03	0.4	\$15.70	\$10.21
4"	CTHJ04	0.5	\$15.70	\$10.21
5"	CTHJ05	0.6	\$17.60	\$11.44
6"	CTHJ06	0.7	\$19.90	\$12.94
7"	CTHJ07	0.8	\$19.90	\$12.94
8"	CTHJ08	0.9	\$23.80	\$15.47
9"	CTHJ09	1.1	\$29.40	\$19.11
10"	CTHJ10	1.1	\$31.30	\$20.35
11"	CTHJ11	1.3	\$34.70	\$22.56
12"	CTHJ12	1.4	\$34.70	\$22.56
13"	CTHJ13	1.6	\$39.60	\$25.74
14"	CTHJ14	1.8	\$39.60	\$25.74
16"	CTHJ16	2.2	\$54.40	\$35.36
18"	CTHJ18	2.8	\$54.30	\$35.30
20"	CTHJ20	3.4	\$59.80	\$38.87
22"	CTHJ22	4.1	\$73.40	\$47.71
24"	CTHJ24	5.0	\$84.50	\$54.93

Pipe Hanger HJ



- 3" to 24", 14 gauge galvanized construction
- Bolts are supplied with hanger



NRV

DIA.	PART #	A	B	C	D	E	F	G	H	I	WGTT. LBS.	REG. PRICE	25% OFF PRICE EA.
7"	EM-NRV07	14.1	13.3	21.6	13.3	11.8	7.0	6.6	-	-	45.0	\$3,040	\$2,280.00
8"	EM-NRV08	14.1	13.3	21.6	13.3	11.8	7.0	6.6	-	-	45.0	\$3,267	\$2,450.25
10"	EM-NRV10	16.1	15.3	23.6	15.3	12.7	8.0	7.6	-	-	56.0	\$3,333	\$2,499.75
12"	EM-NRV12	18.1	17.3	26.3	23.6	13.7	9.0	8.6	-	4.5	84.0	\$3,733	\$2,799.75
14"	EM-NRV14	20.0	19.2	28.3	25.5	14.7	10.0	9.6	-	4.5	100.0	\$4,000	\$3,000.00
16"	EM-NRV16	22.0	23.2	30.3	29.5	15.7	11.0	10.6	13.7	6.4	120.0	\$4,800	\$3,600.00
18"	EM-NRV18	24.0	25.1	32.2	33.2	16.7	12.0	11.6	15.7	8.4	150.0	\$4,932	\$3,699.00
20"	EM-NRV20	25.9	27.1	34.2	38.7	17.7	12.9	12.5	18.1	12.4	177.0	\$5,325	\$3,993.75
22"	EM-NRV22	27.9	29.1	36.2	37.4	18.7	13.9	12.5	19.6	8.4	221.0	\$5,600	\$4,200.00
24"	EM-NRV24	29.9	31.1	38.1	41.1	19.6	14.9	14.5	21.6	10.4	254.0	\$7,200	\$5,400.00
26"	EM-NRV26	31.8	33.0	40.1	45.0	20.6	15.9	15.5	23.8	12.4	276.0	\$7,620	\$5,715.00
28"	EM-NRV28	33.8	35.0	42.1	47.0	21.6	16.9	16.5	25.5	12.4	298.0	\$8,107	\$6,080.25
32"	EM-NRV32	38.5	40.1	52.3	56.4	25.9	25.9	18.8	28.1	14.1	728.0	\$12,220	\$9,165.00
36"	EM-NRV36	42.5	44.5	56.2	60.4	27.9	27.9	20.8	27.9	14.1	860.0	\$13,400	\$10,050.00
40"	EM-NRV40	46.1	48.0	60.2	64.3	29.9	29.9	22.8	35.8	14.1	999.0	\$14,890	\$11,167.50
NRV PRESSURE DROP FOR SIZES 7" TO 14" IS 0.39 / SIZES 16" TO 28" IS 0.63													
NRV PRESSURE DROP FOR SIZES 32" TO 40" IS 0.63													

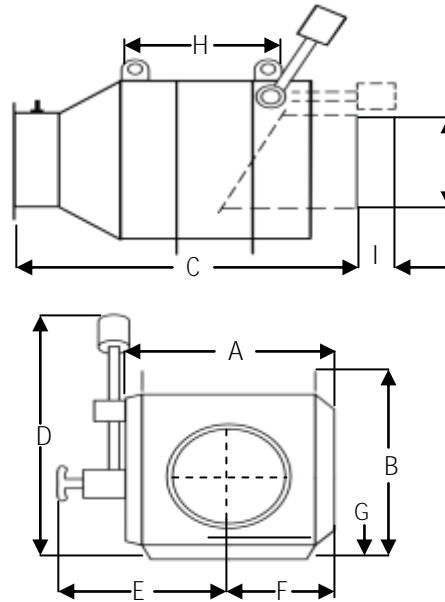


PART NO. EM-NRV00



No Return Valve

- ATEX Certified
- Used to eliminate blast "front" from returning to the building.
- Protects workers and facilities from the damaging effect of a baghouse or filter explosion.
- Flanged inlet and outlet with co-flanges
- Inspection/access door
- Grounding lug
- Locking mechanism
- Please call for spark detection system pricing and information



ATEX POLYFLEX 30



See pages 10 & 17



NRV ACCESSORIES

With the following options the NRV is 100% NFPA 69-2014 Compliant:		REG. PRICE	25% OFF PRICE EA.
EM-NRV-MS:	Micro-switch for system shut down	\$140.00	\$105.00
EM-NRV-DLS:	Dust level sensor	\$532.00	\$399.00
EM-NRV-CP:	Control panel for sensor power and integration	\$2330.00	\$1,747.50



PART NO. EM-NRV-CP



Dust Level Sensor



Microswitch



Control Panel - Open

HIGH SPEED ABORT GATE

PART #	A	B	C	D	E	F	G	H	I	WGT. LBS	REG. PRICE	25% OFF PRICE EA.
EM-HSAG08	7.9	8.7	27.1	23.7	6.4	9.4	5.1	10.2	11.0	51.0	\$3,619.00	\$2,714.25
EM-HSAG12	11.4	11.8	31.8	30.6	9.9	13.2	5.1	13.8	14.2	89.0	\$4,189.00	\$3,141.75
EM-HSAG18P	16.9	17.7	37.3	43.1	15.4	19.7	5.1	19.3	20.1	166.0	\$6,010.00	\$4,507.50
EM-HSAG24P	21.7	22.8	43.3	54.3	20.2	25.8	5.1	24.8	26.0	265.0	\$6,703.00	\$5,027.25
EM-HSAG28P	26.0	27.2	48.4	63.8	24.5	30.9	5.1	29.9	31.1	375.0	\$8,668.00	\$6,501.00
EM-HSAG34P	31.1	32.3	54.1	74.7	29.6	36.7	5.1	34.1	36.2	563.0	\$10,344.00	\$7,758.00
EM-HSAG40P	35.0	36.2	58.7	83.2	33.5	41.3	5.1	39.0	40.9	662.0	\$11,544.00	\$8,658.00
EM-HSAG44P	39.8	40.9	64.3	93.5	38.3	46.9	5.1	44.5	45.7	805.0	\$12,760.00	\$9,570.00
EM-HSAG50P	44.1	45.3	69.4	103.0	42.6	52.0	5.1	48.8	50.0	926.0	\$14,242.00	\$10,681.50
FLANGED INLET/OULET - 24VDC MAGNET												

NEW PRODUCT

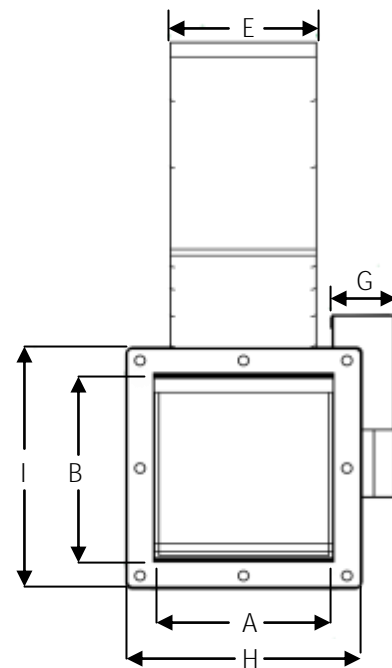
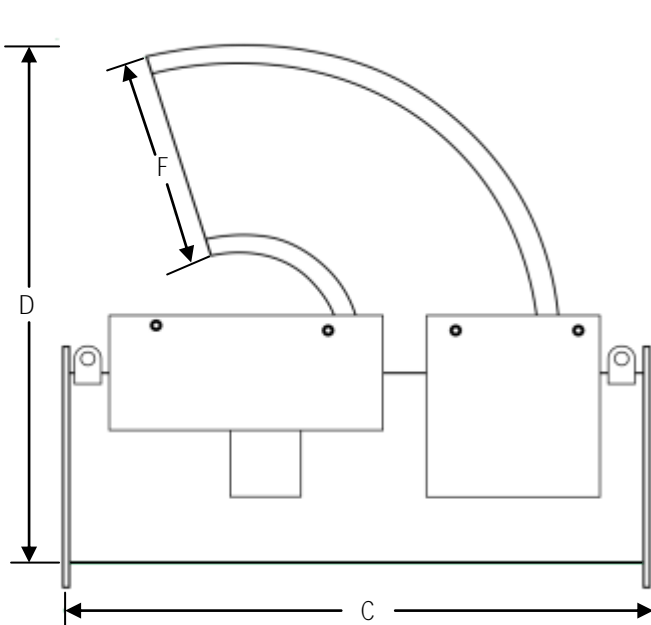
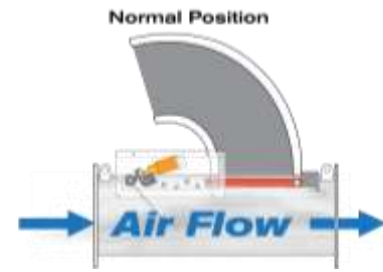
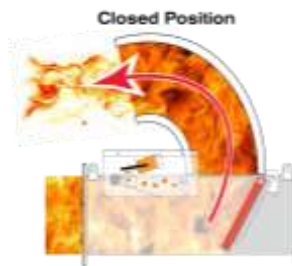


PART NO. HSAG00

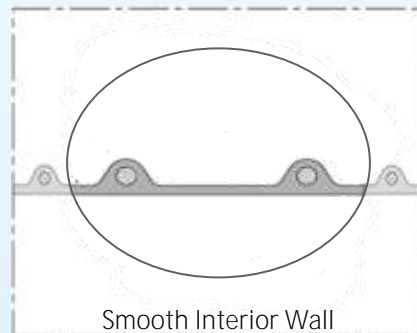
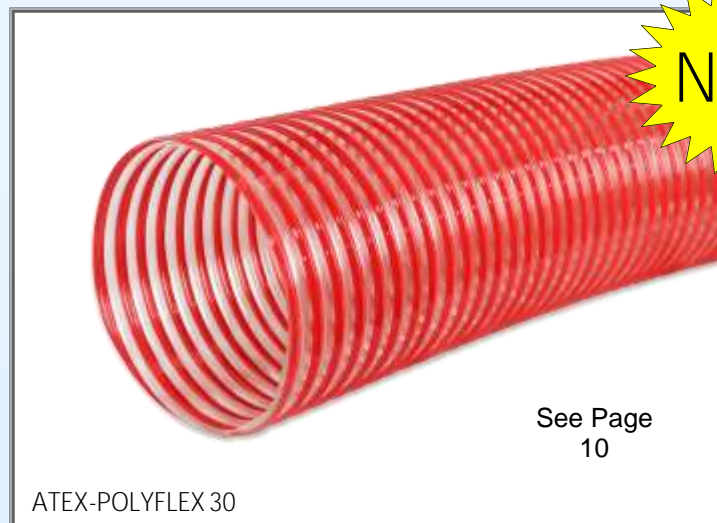
ATEX Certified

High Speed Abort Gate

- 24v control panel with status lights for connection to spark detection
- Optional Weather hood
- **Manual rearm (sizes 8" - 12")**
- **Pneumatic rearm (sizes 18" - 50")**
- Triple security protection
- Epoxy powder coated safety red finish
- Flanged inlet & outlet
- NFPA compliant with spark detection control
- Please call for spark detection system pricing and information



ATEX-POLYFLEX HOSE



ATEX-POLYFLEX 30

- ATEX Certified for combustible dusts (wood dust, powders, plastics)
- Used with combustible dusts
- Anti-static $<10^9 \Omega$
- Fire retardant
- Highly abrasive resistant polyurethane
- Resistant to oils, gasoline, chemicals
- Flexible with smooth interior
- Replaces standard urethane, PVC and thermo plastic hoses
- Spring steel wire helix
- Temp -25°F to 225°F Wall .031

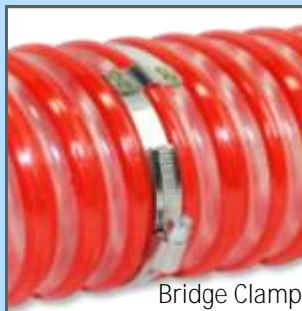
APPLICATIONS

- Woodworking machinery , CNC routers
- Powders, plastic pellets
- Explosion hazardous areas
- Recommended for use in systems using Isolation Valves and Abort Dampers

BRIDGE CLAMPS

Stainless Steel bridge clamp recommended

Dia.	Reg. Price
2" - 12"	See Page 10



Dia.	Hose Part #	List Price Per Ft.	35% Off Per Ft.
2"	HATEX3002	\$10.77	\$7.00
2.5"	HATEX3002.5	\$12.55	\$8.16
3"	HATEX3003	\$12.60	\$8.19
4"	HATEX3004	\$15.89	\$10.33
5"	HATEX3005	\$19.02	\$12.36
6"	HATEX3006	\$23.48	\$15.26
7"	HATEX3007	\$24.00	\$15.60
8"	HATEX3008	\$24.30	\$15.80
10"	HATEX3010	\$33.94	\$22.06
12"	HATEX3012	\$37.58	\$24.43
14"	HATEX3014	\$47.18	\$30.67
16"	HATEX3016	\$59.11	\$38.42
18"	HATEX3018	\$72.35	\$47.03

Metric sizes available and in stock

5' increments up to 50'

No cut charges

THE Blastgate

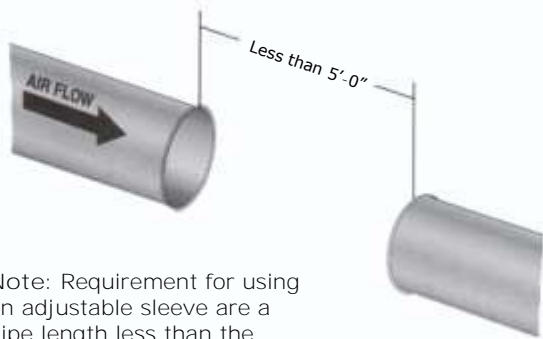
14219 East 10 Mile Rd
Warren, MI 48089
1-877-904-4022
sales@blastgateco.com

CLAMP-TOGETHER DUCT SYSTEMS

To Order - Call 1-877-904-4022 or email sales@blastgateco.com

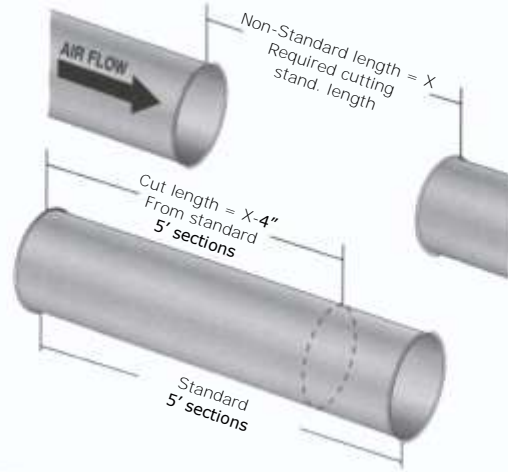
Instructions: Adjustable Sleeve w/ O-Ring

STEP #1

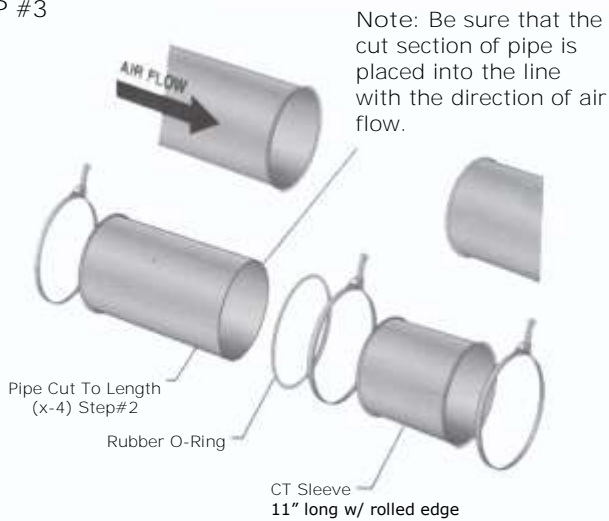


Note: Requirement for using an adjustable sleeve are a pipe length less than the standard 5'-0" section of pipe

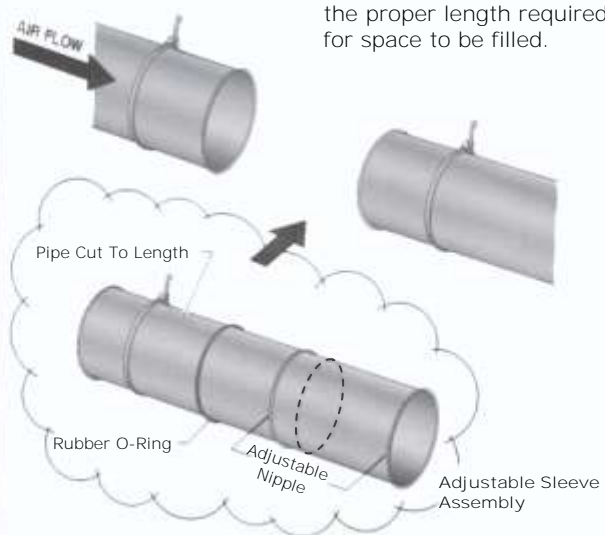
STEP #2



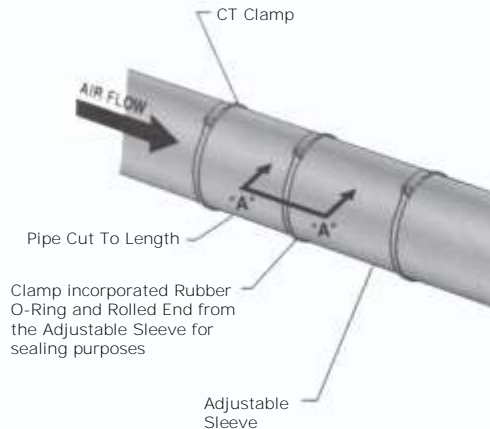
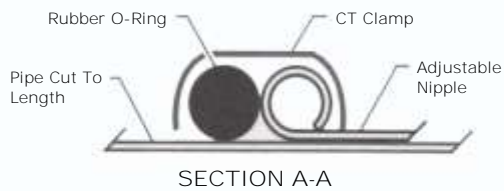
STEP #3



STEP #4



STEP #5



See page 1



PART NO. CTSLEEVE00

THE BlastGate CO.

14219 EAST TEN MILE ROAD

WARREN, MI 48089-2162

1-877-904-4022 FAX: 586-776-8532

sales@blastgateco.com

