

CLAMP-TOGETHER DUCT SYSTEMS

PRICE CATALOG 2024

**35% OFF
 SALE**

DESIGNED FOR DUST & FUME COLLECTION



PAGE 1
 PIPES, SLEEVES &



PAGE 2
 45° & 90° ELBOWS



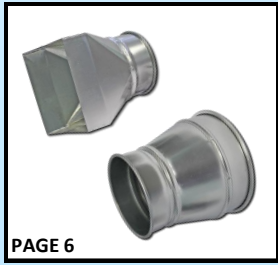
PAGE 3
 BRANCHES &
 Y-BRANCHES



PAGE 4
 DOUBLE BRANCHES &
 T-BRANCHES



PAGE 5
 ANGLE FLANGE ADAPTERS &
 IN-CUT SADDLES



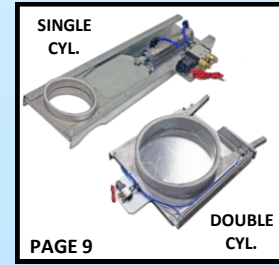
PAGE 6
 REDUCERS & SQUARE TO
 ROUND TRANSITIONS



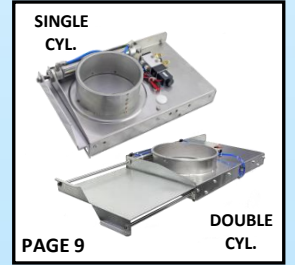
PAGE 7
 CAST ALUM. & S.S.
 BLAST GATES



PAGE 8
 GALV. & S.S. BLAST GATES
 W/UHMW SEALS



PAGE 9
 SINGLE CYL. DOUBLE CYL.
 AUTOMATIC DIE CAST ALUM.
 PNEUMATIC BLAST GATES



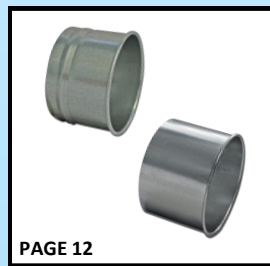
PAGE 9
 SINGLE CYL. DOUBLE CYL.
 AUTOMATIC GALVANIZED
 PNEUMATIC BLAST GATES



PAGE 10
 HOSE & HOSE CLAMPS



PAGE 11
 END CAPS



PAGE 12
 HOSE ADAPTERS &
 MACHINE ADAPTERS



PAGE 13
 BALL JOINTS, CABLE DUCT
 HANGERS & ACCESSORIES



PAGE 14
 PIPE HANGERS &
 ACCESSORIES



PAGE 15
 Light Duty Heavy Duty
 FLOOR SWEEPS & CAPTURE
 HOODS



PAGE 16
 VERTICAL CAPTURE HOODS &
 TELESCOPING JOINTS

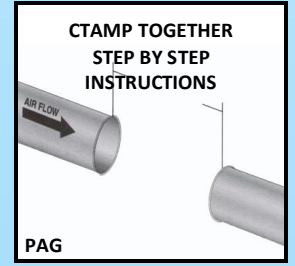


PAGE 17
 NO RETURN VALVES &
 NRV ACCESSORIES

**ATEX
 CERTIFIED**



PAGE 18
 HIGH SPEED ABORT GATES



PAGE
 INSTRUCTIONS: ADJUSTABLE
 SLEEVE W/ O-RING

FAST INSTALLATIONS • EASY REMOVAL FOR CLEANING OR RELOCATING

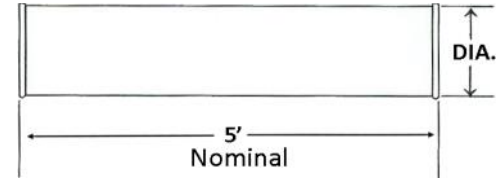
CT PIPE 5 FT. SECTIONS

DIA.	PART #	GA.	WT.	REG. PRICE PER 5 FT.	35% OFF PER 5 FT.
3"	CTPIPE03	18	4.0	\$61.54	\$40.00
4"	CTPIPE04	22	5.4	\$34.87	\$22.67
5"	CTPIPE05	22	6.7	\$38.17	\$24.81
6"	CTPIPE06	22	7.9	\$45.98	\$29.89
7"	CTPIPE07	22	11.7	\$56.32	\$36.61
8"	CTPIPE08	22	13.3	\$63.25	\$41.11
9"	CTPIPE09	22	14.9	\$68.42	\$44.47
10"	CTPIPE10	22	16.6	\$73.59	\$47.83
11"	CTPIPE11	22	18.1	\$88.22	\$57.34
12"	CTPIPE12	22	19.8	\$88.22	\$57.34
14"	CTPIPE14	20	27.3	\$113.63	\$73.86
16"	CTPIPE16	20	29.3	\$147.51	\$95.88
18"	CTPIPE18	20	34.0	\$162.58	\$105.68
20"	CTPIPE20	20	38.0	\$195.14	\$126.84
22"	CTPIPE22	20	42.0	\$215.93	\$140.35
24"	CTPIPE24	20	45.8	\$248.38	\$161.45

CT Pipe



- Galvanized with rolled ends
- 5 Ft. Sections
- Seam welded



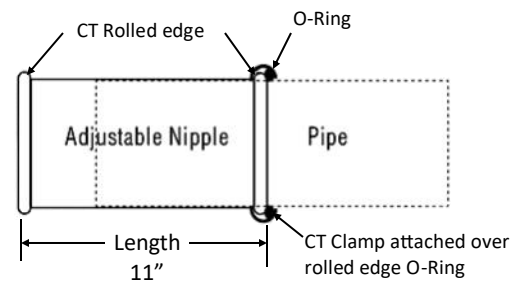
ADJUSTABLE SLEEVE W/ O-RING

DIA.	PART #	GA.	WT.	REG PRICE	35% OFF
3"	CTSLEEVE03	22	0.8	\$32.00	\$20.80
4"	CTSLEEVE04	22	1.1	\$21.12	\$13.73
5"	CTSLEEVE05	22	1.3	\$21.56	\$14.01
6"	CTSLEEVE06	22	1.6	\$22.22	\$14.44
7"	CTSLEEVE07	22	2.4	\$26.62	\$17.30
8"	CTSLEEVE08	22	2.7	\$27.17	\$17.66
9"	CTSLEEVE09	22	3.1	\$28.60	\$18.59
10"	CTSLEEVE10	22	3.4	\$29.15	\$18.95
11"	CTSLEEVE11	22	3.8	\$33.33	\$21.66
12"	CTSLEEVE12	22	4.2	\$33.33	\$21.66
14"	CTSLEEVE14	20	5.9	\$45.10	\$29.32
16"	CTSLEEVE16	20	6.7	\$51.81	\$33.68
18"	CTSLEEVE18	20	7.5	\$60.50	\$39.33
20"	CTSLEEVE20	20	8.1	\$74.14	\$48.19
22"	CTSLEEVE22	20	8.8	\$87.67	\$56.99
24"	CTSLEEVE24	20	9.7	\$100.87	\$65.57

Adjustable Sleeve With O-Ring



- Used to provide variable length adjustment of CT pipe system
- Black O-Ring included
- High Temp Red O-Ring available
- Sleeve length 11 inches
- See page 20 for instructions



ADJUSTABLE CLAMP W/ PIN

DIA.	PART #	WT.	REG. PRICE	35% OFF
3"	CTCLAMP03	0.2	\$11.00	\$7.15
4"	CTCLAMP04	0.2	\$11.77	\$7.65
5"	CTCLAMP05	0.3	\$12.65	\$8.22
6"	CTCLAMP06	0.3	\$13.09	\$8.51
7"	CTCLAMP07	0.5	\$13.75	\$8.94
8"	CTCLAMP08	0.5	\$14.19	\$9.22
9"	CTCLAMP09	0.6	\$14.63	\$9.51
10"	CTCLAMP10	0.6	\$15.95	\$10.37
11"	CTCLAMP11	0.7	\$17.27	\$11.23
12"	CTCLAMP12	1.3	\$17.27	\$11.23
14"	CTCLAMP14	1.4	\$18.81	\$12.23
16"	CTCLAMP16	1.6	\$20.79	\$13.51
18"	CTCLAMP18	1.7	\$21.56	\$14.01
20"	CTCLAMP20	1.9	\$22.55	\$14.66
22"	CTCLAMP22	1.9	\$23.65	\$15.37
24"	CTCLAMP24	2.2	\$27.17	\$17.66

Adjustable Clamp With Pin



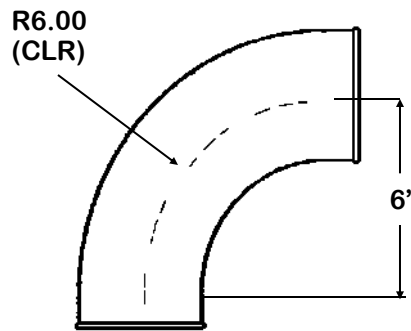
- Adjustment screw provides variable tension for a perfect fit
- Internal gasket seal included

90° ELBOWS

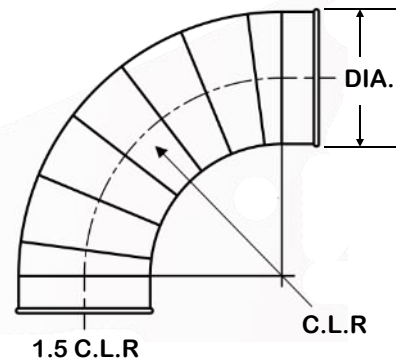
DIA.	PART #	CLR	STYLE	GA.	WT.	REG. PRICE	35% OFF
3"	CTEL9003	1.5	P	24	0.9	\$51.04	\$33.18
4"	CTEL9004	1.5	P	24	1.0	\$63.03	\$40.97
5"	CTEL9005	1.5	P	24	1.2	\$69.85	\$45.40
6"	CTEL9006	1.5	P	24	1.5	\$78.65	\$51.12
7"	CTEL9007	1.5	S	24	2.2	\$104.94	\$68.21
8"	CTEL9008	1.5	S	22	6.1	\$152.90	\$99.39
9"	CTEL9009	1.5	S	22	7.6	\$158.73	\$103.17
10"	CTEL9010	1.5	S	22	9.0	\$165.22	\$107.39
11"	CTEL9011	1.5	S	22	10.5	\$209.77	\$136.35
12"	CTEL9012	1.5	S	22	12.4	\$209.77	\$136.35
14"	CTEL9014	1.5	S	20	19.0	\$222.86	\$144.86
16"	CTEL9016	1.5	S	20	24.0	\$228.69	\$148.65
18"	CTEL9018	1.5	S	20	30.9	\$321.53	\$208.99
20"	CTEL9020	1.5	S	20	35.9	\$375.10	\$243.82
22"	CTEL9022	1.5	S	20	43.0	\$482.57	\$313.67
24"	CTEL9024	1.5	S	20	55.5	\$554.84	\$360.65

P= Press Formed S= Segmented CLR= Center Line Radius

90° Elbow - Press Formed

90° Elbow - Segmented


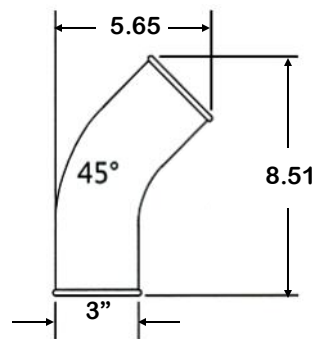
Example Shown:
4" 90 Deg. Elbow 1.5 CLR = 6"


45° ELBOWS

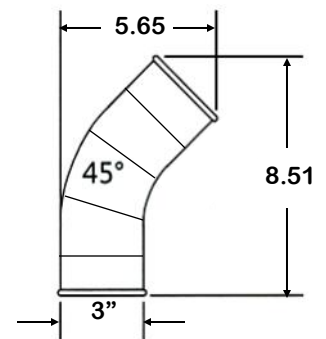
DIA.	PART #	CLR	STYLE	GA.	WT.	REG. PRICE	35% OFF
3"	CTEL4503	1.5	P	24	0.9	\$46.09	\$29.96
4"	CTEL4504	1.5	P	24	1.0	\$53.79	\$34.96
5"	CTEL4505	1.5	P	24	0.7	\$59.51	\$38.68
6"	CTEL4506	1.5	P	24	1.0	\$70.73	\$45.97
7"	CTEL4507	1.5	S	24	1.3	\$99.66	\$64.78
8"	CTEL4508	1.5	S	22	3.7	\$107.69	\$70.00
9"	CTEL4509	1.5	S	22	4.8	\$109.67	\$71.29
10"	CTEL4510	1.5	S	22	5.3	\$114.29	\$74.29
11"	CTEL4511	1.5	S	22	6.0	\$120.78	\$78.51
12"	CTEL4512	1.5	S	22	7.3	\$120.78	\$78.51
14"	CTEL4514	1.5	S	20	11.4	\$130.24	\$84.66
16"	CTEL4516	1.5	S	20	13.8	\$174.57	\$113.47
18"	CTEL4518	1.5	S	20	17.8	\$200.86	\$130.56
20"	CTEL4520	1.5	S	20	20.0	\$240.02	\$156.01
22"	CTEL4522	1.5	S	20	23.9	\$275.44	\$179.04
24"	CTEL4524	1.5	S	20	28.0	\$316.91	\$205.99

P= Press Formed S= Segmented CLR= Center Line Radius

45° Elbow - Press Formed

45° Elbow - Segmented


3" 45 Deg. Elbow (1.5 CLR)



3" 45 Deg. Elbow (1.5 CLR)

BRANCH (LATERAL WYE)

SIZE	PART #	ENDS	GA.	WT.	REG. PRICE	35% OFF
3"	CTB03-XX-XX	CT	22	2.3	\$140.80	\$91.52
4"	CTB04-XX-XX	CT	22	3.0	\$140.80	\$91.52
5"	CTB05-XX-XX	CT	22	3.8	\$148.28	\$96.38
6"	CTB06-XX-XX	CT	22	4.3	\$153.23	\$99.60
7"	CTB07-XX-XX	CT	22	5.0	\$155.65	\$101.17
8"	CTB08-XX-XX	CT	22	6.0	\$159.28	\$103.53
9"	CTB09-XX-XX	CT	22	7.3	\$166.76	\$108.39
10"	CTB10-XX-XX	CT	22	8.5	\$177.87	\$115.62
11"	CTB11-XX-XX	CT	22	9.3	\$197.67	\$128.49
12"	CTB12-XX-XX	CT	20	10.8	\$197.67	\$128.49
14"	CTB14-XX-XX	CT	20	13.5	\$231.88	\$150.72
16"	CTB16-XX-XX	CT	20	17.6	\$266.97	\$173.53
18"	CTB18-XX-XX	CT	20	21.0	\$290.40	\$188.76
20"	CTB20-XX-XX	CT	20	30.0	\$349.58	\$227.23
22"	CTB22-XX-XX	CT	20	39.5	\$439.67	\$285.79
24"	CTB24-XX-XX	CT	20	53.5	\$505.56	\$328.61
26"	CTB26-XX-XX	FL	18	74.0	\$558.36	\$362.93
28"	CTB28-XX-XX	FL	18	98.0	\$713.90	\$464.04
30"	CTB30-XX-XX	FL	18	117.1	\$802.89	\$521.88

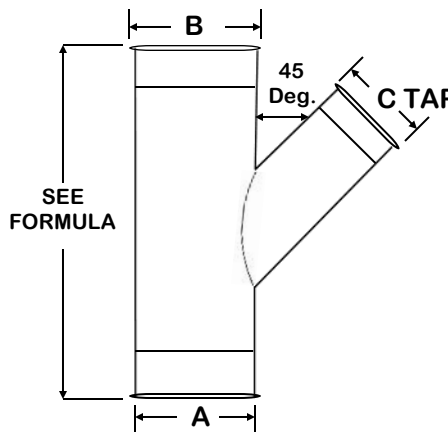
CT = CLAMP TOGETHER FL = FLANGE

45° TAP DIA X 1.414 + 4 + 4.5" = OVERALL FITTING LENGTH

Branch



- All Branches priced by largest end A
- Specify A, B, C
- 45 Degree tap Standard.
- Tapered branches available
- 26" and up are flanged. Additional cost for flange(s)



Y BRANCH (TRUE WYE)

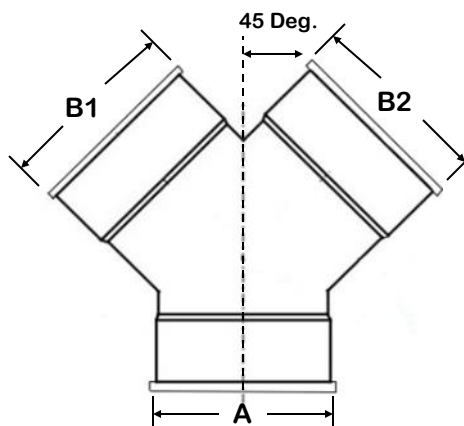
SIZE	PART #	ENDS	GA.	WT.	REG. PRICE	35% OFF
3"	CTY03-XX-XX	CT	22	1.5	\$181.06	\$117.69
4"	CTY04-XX-XX	CT	22	1.8	\$181.06	\$117.69
5"	CTY05-XX-XX	CT	22	2.0	\$190.85	\$124.05
6"	CTY06-XX-XX	CT	22	2.8	\$198.88	\$129.27
7"	CTY07-XX-XX	CT	22	3.3	\$204.71	\$133.06
8"	CTY08-XX-XX	CT	22	4.5	\$213.73	\$138.92
9"	CTY09-XX-XX	CT	22	5.3	\$224.73	\$146.07
10"	CTY10-XX-XX	CT	22	6.8	\$229.02	\$148.86
11"	CTY11-XX-XX	CT	22	8.0	\$263.01	\$170.96
12"	CTY12-XX-XX	CT	20	10.3	\$263.01	\$170.96
14"	CTY14-XX-XX	CT	20	14.0	\$316.69	\$205.85
16"	CTY16-XX-XX	CT	20	17.0	\$352.22	\$228.94
18"	CTY18-XX-XX	CT	20	20.0	\$391.27	\$254.33
20"	CTY20-XX-XX	CT	20	24.5	\$465.52	\$302.59
22"	CTY22-XX-XX	CT	20	29.0	\$534.71	\$347.56
24"	CTY24-XX-XX	CT	20	36.0	\$615.12	\$399.83
26"	CTY26-XX-XX	FL	18	69.0	\$707.19	\$459.67
28"	CTY28-XX-XX	FL	18	93.0	\$812.57	\$528.17
30"	CTY30-XX-XX	FL	18	112.0	\$893.31	\$580.65

CT = CLAMP TOGETHER FL = FLANGE

Y Branch



- All Branches priced by largest end A
- Specify A and B
- 45 Degree tap standard
- 26" and up are flanged. Additional cost for flange(s)



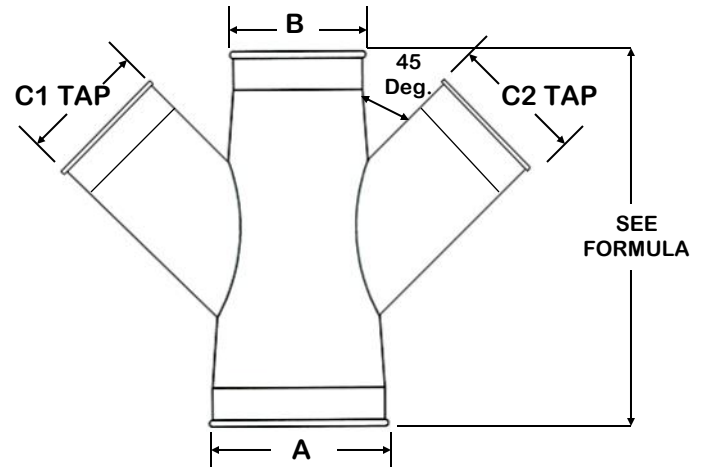
DOUBLE BRANCH (LATERAL DOUBLE WYE)

SIZE	PART #	ENDS	GA.	WT.	REG. PRICE	35% OFF
3"	CTDB03-XX-XX-XX	CT	22	2.6	\$180.18	\$117.12
4"	CTDB04-XX-XX-XX	CT	22	3.5	\$180.18	\$117.12
5"	CTDB05-XX-XX-XX	CT	22	4.4	\$189.86	\$123.41
6"	CTDB06-XX-XX-XX	CT	22	5.0	\$198.00	\$128.70
7"	CTDB07-XX-XX-XX	CT	22	6.0	\$203.72	\$132.42
8"	CTDB08-XX-XX-XX	CT	22	7.3	\$212.96	\$138.42
9"	CTDB09-XX-XX-XX	CT	22	8.5	\$223.52	\$145.29
10"	CTDB10-XX-XX-XX	CT	22	10.0	\$228.03	\$148.22
11"	CTDB11-XX-XX-XX	CT	22	10.8	\$261.58	\$170.03
12"	CTDB12-XX-XX-XX	CT	22	12.3	\$261.58	\$170.03
14"	CTDB14-XX-XX-XX	CT	20	15.0	\$315.04	\$204.78
16"	CTDB16-XX-XX-XX	CT	20	19.6	\$350.57	\$227.87
18"	CTDB18-XX-XX-XX	CT	20	26.0	\$389.51	\$253.22
20"	CTDB20-XX-XX-XX	CT	20	35.0	\$463.43	\$301.23
22"	CTDB22-XX-XX-XX	CT	20	49.5	\$532.29	\$345.99
24"	CTDB24-XX-XX-XX	CT	20	68.4	\$612.15	\$397.90
26"	CTDB26-XX-XX-XX	FL	18	104.0	\$703.78	\$457.46
28"	CTDB28-XX-XX-XX	FL	18	128.0	\$808.83	\$525.74
30"	CTDB30-XX-XX-XX	FL	18	153.0	\$889.13	\$577.93
CT = CLAMP TOGETHER		FL = FLANGE				

45° TAP DIA X 1.414 + 4 + 4.5" = OVERALL FITTING LENGTH

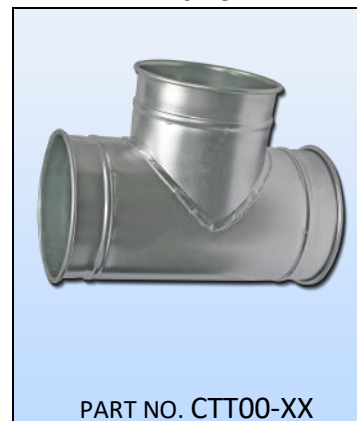
Double Branch


- All branches priced by largest end A
- Specify A, B, C1, C2
- 45 degree tap standard
- 26" and up are flanged. Additional cost for flange(s)

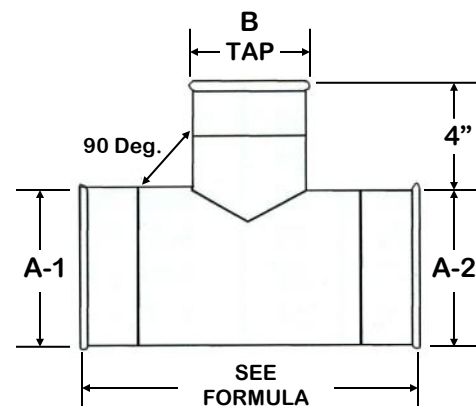

T-BRANCH

SIZE	PART #	ENDS	GA.	WT.	REG. PRICE	35% OFF
3"	CTT03-XX	CT	22	1.5	\$143.00	\$92.95
4"	CTT04-XX	CT	22	2.0	\$143.00	\$92.95
5"	CTT05-XX	CT	22	2.8	\$150.26	\$97.67
6"	CTT06-XX	CT	22	3.2	\$155.32	\$100.96
7"	CTT07-XX	CT	22	4.0	\$157.74	\$102.14
8"	CTT08-XX	CT	22	4.8	\$161.70	\$105.11
9"	CTT09-XX	CT	22	5.5	\$168.96	\$109.82
10"	CTT10-XX	CT	22	6.0	\$180.18	\$117.12
11"	CTT11-XX	CT	22	7.5	\$200.31	\$130.20
12"	CTT12-XX	CT	22	8.8	\$200.31	\$130.20
14"	CTT14-XX	CT	20	12.0	\$235.29	\$152.94
16"	CTT16-XX	CT	20	14.0	\$270.60	\$175.89
18"	CTT18-XX	CT	20	18.3	\$294.36	\$191.33
20"	CTT20-XX	CT	20	20.5	\$354.42	\$230.37
22"	CTT22-XX	CT	20	24.8	\$445.72	\$289.72
24"	CTT24-XX	CT	20	29.0	\$512.71	\$333.26
26"	CTT26-XX	FL	18	40.3	\$566.17	\$368.01
28"	CTT28-XX	FL	18	45.0	\$723.91	\$470.54
30"	CTT30-XX	FL	18	58.5	\$814.00	\$529.10
CT = CLAMP TOGETHER		FL = FLANGE				

90° TAP DIA + 4 + 4.5" = OVERALL FITTING LENGTH

T-Branch


- All branches priced by largest end
- Specify A and B
- Both A ends are the same
- 26" and up are flanged. Additional cost for flange(s)



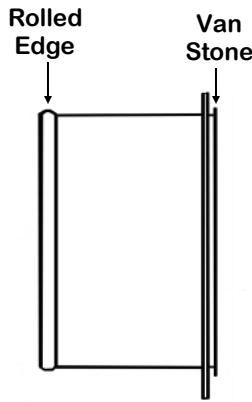
ANGLE FLANGE ADAPTER

DIA.	PART #	APPROX LENGTH	GA	WT.	REG. PRICE	35% OFF
3"	CTAFA03	5.0	22	1.4	\$55.33	\$35.96
4"	CTAFA04	3.5	22	1.7	\$55.33	\$35.96
5"	CTAFA05	3.5	22	2.1	\$58.19	\$37.82
6"	CTAFA06	3.5	22	2.5	\$69.63	\$45.26
7"	CTAFA07	3.5	22	3.1	\$75.24	\$48.91
8"	CTAFA08	3.5	22	3.2	\$78.32	\$50.91
9"	CTAFA09	3.5	22	5.0	\$87.67	\$56.99
10"	CTAFA10	3.5	22	5.6	\$92.40	\$60.06
11"	CTAFA11	3.5	22	6.1	\$102.41	\$66.57
12"	CTAFA12	5.0	22	7.2	\$102.41	\$66.57
13"	CTAFA13	5.0	20	7.0	\$106.81	\$69.43
14"	CTAFA14	5.0	20	7.7	\$106.81	\$69.43
15"	CTAFA15	5.0	20	9.2	\$116.16	\$75.50
16"	CTAFA16	5.0	20	11.0	\$116.16	\$75.50
18"	CTAFA18	5.0	20	15.2	\$125.96	\$81.87
20"	CTAFA20	5.0	20	19.5	\$133.87	\$87.02
22"	CTAFA22	5.0	20	26.1	\$143.33	\$93.16
24"	CTAFA24	5.0	20	30.0	\$164.78	\$107.11

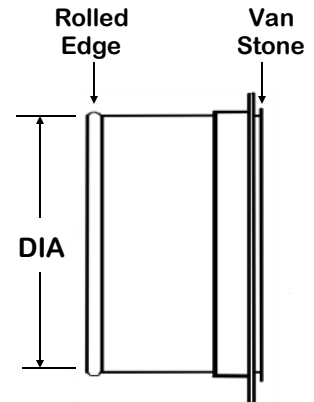
Angle Flange Adapter



- Angle Ring Flange standard (Galv.)
- Optional flat flange
- Specify hole pattern for flat flange (available at additional price)



Flat Flange (Optional)



Standard Angle Ring

IN-CUT SADDLE

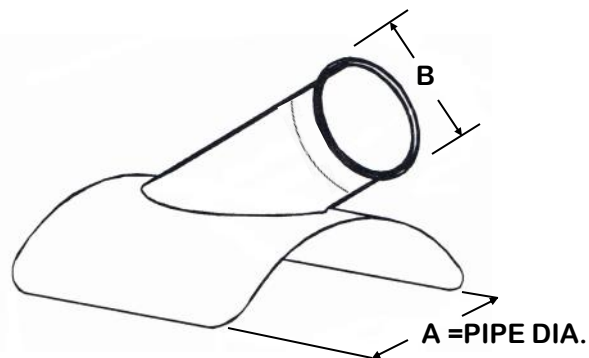
SIZE	PART #	ENDS	GA.	WT.	REG. PRICE	35% OFF
3"	CTIC03-XX	CT	22	1.3	\$63.69	\$41.40
4"	CTIC04-XX	CT	22	1.5	\$63.69	\$41.40
5"	CTIC05-XX	CT	22	2.1	\$65.23	\$42.40
6"	CTIC06-XX	CT	22	2.8	\$70.07	\$45.55
7"	CTIC07-XX	CT	22	3.5	\$74.14	\$48.19
8"	CTIC08-XX	CT	22	4.5	\$77.66	\$50.48
9"	CTIC09-XX	CT	22	5.4	\$81.07	\$52.70
10"	CTIC10-XX	CT	22	6.5	\$87.67	\$56.99
11"	CTIC11-XX	CT	22	7.6	\$94.38	\$61.35
12"	CTIC12-XX	CT	22	8.8	\$94.38	\$61.35
14"	CTIC14-XX	CT	20	13.7	\$106.81	\$69.43
16"	CTIC16-XX	CT	20	17.2	\$120.45	\$78.29
18"	CTIC18-XX	CT	20	21.3	\$133.65	\$86.87
20"	CTIC20-XX	CT	20	25.6	\$212.52	\$138.14
22"	CTIC22-XX	CT	20	30.5	\$292.38	\$190.05
24"	CTIC24-XX	CT	20	35.4	\$336.49	\$218.72
26"	CTIC26-XX	FL	18	40.3	\$423.94	\$275.56
28"	CTIC28-XX	FL	18	45.0	\$463.43	\$301.23
30"	CTIC30-XX	FL	18	56.5	\$512.71	\$333.26

CT = CLAMP TOGETHER FL = FLANGE

In-Cut

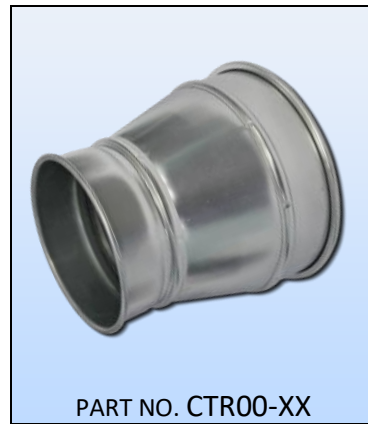


- Priced by B diameter
- Specify B diameter and A pipe diameter
- Standard rolled end
- 30°, 45°, 60° angles available
- 26" and up are flanged. Additional cost for flange(s)

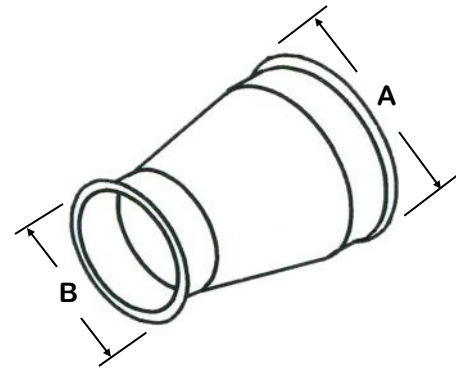


REDUCER

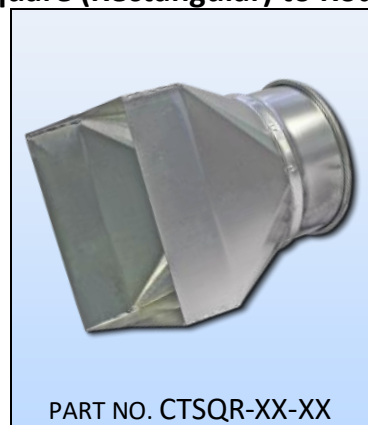
SIZE	PART #	GA.	WT.	REG. PRICE	35% OFF
4"	CTR04-XX	22	1.3	\$59.51	\$38.68
5"	CTR05-XX	22	1.5	\$60.61	\$39.40
6"	CTR06-XX	22	1.8	\$63.80	\$41.47
7"	CTR07-XX	22	2.0	\$64.24	\$41.76
8"	CTR08-XX	22	2.3	\$65.45	\$42.55
9"	CTR09-XX	22	2.5	\$74.14	\$48.20
10"	CTR10-XX	22	3.0	\$75.35	\$48.98
11"	CTR11-XX	22	3.5	\$88.77	\$57.71
12"	CTR12-XX	20	3.8	\$88.77	\$57.71
14"	CTR14-XX	20	4.5	\$105.82	\$68.79
16"	CTR16-XX	20	7.0	\$145.97	\$94.89
18"	CTR18-XX	20	21.0	\$152.24	\$99.42
20"	CTR20-XX	20	30.0	\$161.81	\$105.18
22"	CTR22-XX	20	39.5	\$184.36	\$119.84
24"	CTR24-XX	20	53.5	\$203.17	\$132.07

Reducer


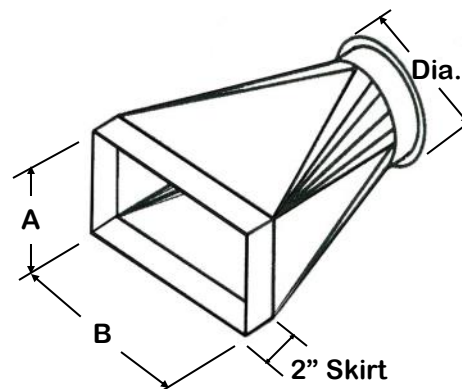
- Priced by largest end A
- Specify A, B, Diameter


SQUARE TO ROUND TRANSITION

SIZE	PART #	GA.	WT.	REG.	35%
4"	CTSQ04-XX-XX	22	1.3	\$123.53	\$80.30
5"	CTSQ05-XX-XX	22	1.5	\$128.15	\$83.30
6"	CTSQ06-XX-XX	22	1.8	\$132.77	\$86.31
7"	CTSQ07-XX-XX	22	2.0	\$141.35	\$91.88
8"	CTSQ08-XX-XX	22	2.3	\$147.62	\$95.96
9"	CTSQ09-XX-XX	22	2.5	\$152.90	\$99.39
10"	CTSQ10-XX-XX	22	3.0	\$158.29	\$102.89
11"	CTSQ11-XX-XX	22	3.5	\$161.26	\$104.82
12"	CTSQ12-XX-XX	20	3.8	\$161.26	\$104.82
14"	CTSQ14-XX-XX	20	4.5	\$167.09	\$108.61
16"	CTSQ16-XX-XX	20	7.0	\$175.34	\$113.98
18"	CTSQ18-XX-XX	20	21.0	\$180.62	\$117.41
20"	CTSQ20-XX-XX	20	30.0	\$186.78	\$121.41
22"	CTSQ22-XX-XX	20	39.5	\$223.41	\$145.22
24"	CTSQ24-XX-XX	20	53.5	\$257.29	\$167.24

Square (Rectangular) to Round


- Priced by round end Dia.
- Specify A, B dimension
- Square (rectangular) ends to be approx. size of round end
- Standard with 2" skirt raw edge
- Angle flange available at additional cost



BLAST GATE MANUAL CAST ALUMINUM

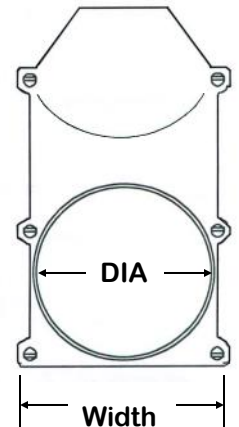
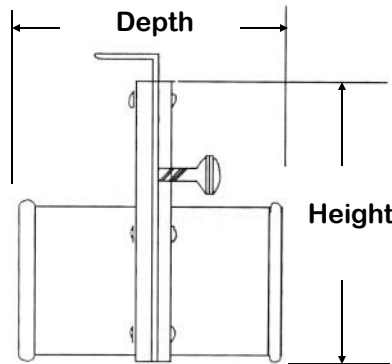
DIA	PART #	ENDS	WIDTH	HGT.	DEPTH	WT.	REG. PRICE	35% OFF
3"	BGFRE03	CT	4.01	5.61	6.18	1.4	\$52.12	\$33.88
4"	BGFRE04	CT	5.00	6.86	5.66	1.8	\$52.12	\$33.88
5"	BGFRE05	CT	6.00	8.00	5.17	2.4	\$54.12	\$35.18
6"	BGFRE06	CT	7.00	10.00	5.70	3.4	\$71.15	\$46.25
7"	BGFRE07	CT	8.00	11.25	5.06	4.4	\$84.22	\$54.74
8"	BGFRE08	CT	9.63	12.63	5.82	5.6	\$99.66	\$64.78
9"	BGFRE09	CT	10.62	13.60	5.33	7.6	\$137.94	\$89.66
10"	BGFRE10	CT	11.38	14.38	5.99	8.4	\$175.30	\$113.95
11"	BGFRE11	CT	12.31	15.38	5.42	7.4	\$227.57	\$147.92
12"	BGFRE12	CT	13.25	16.25	6.06	10.4	\$227.57	\$147.92
14"	BGFRE14	CT	15.76	18.97	6.26	14.2	\$337.00	\$219.05
16"	BGFRE16	CT	17.90	21.28	5.97	18.4	\$490.38	\$318.75
18"	BGFRE18	CT	20.23	32.82	9.04	22.4	\$623.04	\$404.98
20"	BGFRE20	CT	22.37	34.25	9.16	26.4	\$771.94	\$501.76
22"	BGFRE22	CT	24.60	34.21	9.11	30.0	\$842.92	\$547.90
24"	BGFRE24	CT	26.65	34.38	9.15	34.4	\$995.81	\$647.28
26"	BGFRE26	FL	CALL	CALL	CALL	62.0	CALL	CALL
28"	BGFRE28	FL	CALL	CALL	CALL	72.0	CALL	CALL
30"	BGFRE30	FL	CALL	CALL	CALL	97.0	CALL	CALL

CT = CLAMP TOGETHER FL = FLANGE

Die Cast Aluminum Blast Gate



- Manually operated
- Aluminum body, galvanized blade
- Clamp together rolled end collars



BLAST GATE ALL 304 STAINLESS

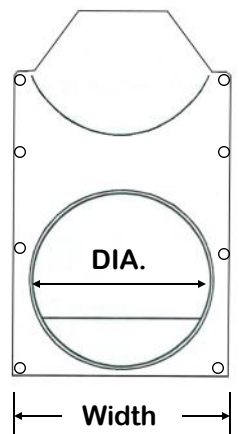
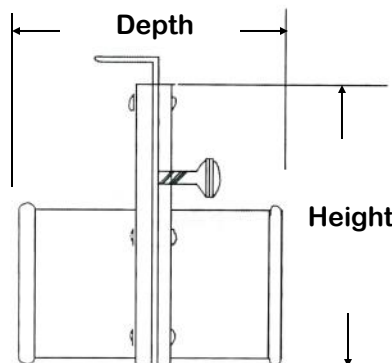
DIA	PART #	ENDS	WIDTH	HGT.	DEPTH	WT.	REG. PRICE	35% OFF
3"	BGRE03SS	CT	5.0	6.0	5.3	1.5	\$239.11	\$155.42
4"	BGRE04SS	CT	6.0	7.5	5.3	2.3	\$239.11	\$155.42
5"	BGRE05SS	CT	7.0	10.5	5.0	3.0	\$280.50	\$182.33
6"	BGRE06SS	CT	8.0	11.0	5.0	3.8	\$380.88	\$247.57
7"	BGRE07SS	CT	9.0	12.0	5.0	4.5	\$405.21	\$263.39
8"	BGRE08SS	CT	10.0	13.5	5.0	5.5	\$521.81	\$339.18
9"	BGRE09SS	CT	11.0	15.0	5.0	7.0	\$563.34	\$366.17
10"	BGRE10SS	CT	12.0	17.0	5.0	7.5	\$563.34	\$366.17
11"	BGRE11SS	CT	13.0	19.0	5.0	9.5	\$712.11	\$462.87
12"	BGRE12SS	CT	14.0	20.5	5.0	13.0	\$712.11	\$462.87
14"	BGRE14SS	CT	16.0	23.3	5.0	16.0	\$822.66	\$534.73
16"	BGRE16SS	CT	CALL	CALL	CALL	21.2	\$1,529.00	\$993.85
18"	BGRE18SS	CT	CALL	CALL	CALL	25.0	\$1,740.75	\$1,131.49
20"	BGRE20SS	CT	CALL	CALL	CALL	30.0	\$2,446.13	\$1,589.98
22"	BGRE22SS	CT	CALL	CALL	CALL	34.0	\$2,510.75	\$1,631.99
24"	BGRE24SS	CT	CALL	CALL	CALL	38.0	\$2,582.25	\$1,678.46
26"	BGRE26SS	FL	CALL	CALL	CALL	62.0	CALL	CALL
28"	BGRE28SS	FL	CALL	CALL	CALL	72.0	CALL	CALL
30"	BGRE30SS	FL	CALL	CALL	CALL	97.0	CALL	CALL

CT = CLAMP TOGETHER FL = FLANGE

All Stainless Blast Gate



- Manually operated
- All stainless Steel
- 12 gauge stainless body, 12 gauge slide blade
- Clamp together rolled end collars



GALVANIZED AIR SEAL

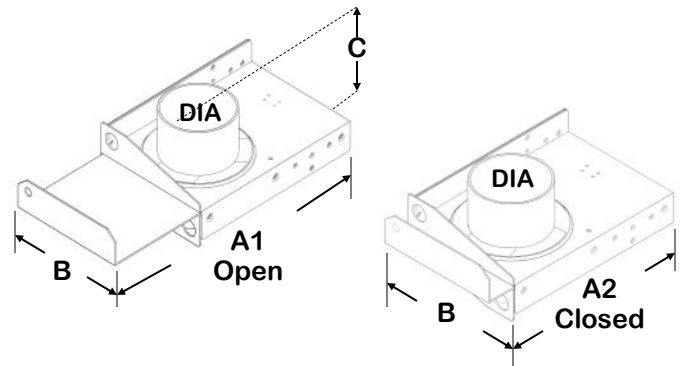
MANUAL BLAST GATE W/ UHMW SEALS

DIA	PART #	A1 INCH	A2 INCH	B INCH	C INCH	WT. GALV.	REG. PRICE	35% OFF
3"	BGASM03RE	14.56	9.68	6.00	5.86	4.8	\$449.03	\$291.87
4"	BGASM04RE	15.43	11.31	7.00	5.83	6.2	\$449.03	\$291.87
5"	BGASM05RE	18.31	11.37	7.93	5.84	7.8	\$474.44	\$308.39
6"	BGASM06RE	21.43	15.31	8.93	5.94	9.4	\$487.63	\$316.96
7"	BGASM07RE	23.43	15.31	9.00	5.68	15.0	\$523.45	\$340.24
8"	BGASM08RE	29.06	19.94	10.87	6.06	14.0	\$541.23	\$351.80
9"	BGASM09RE	31.06	21.00	12.00	5.68	28.0	\$574.75	\$373.59
10"	BGASM10RE	33.06	23.68	14.62	5.79	27.0	\$641.54	\$417.00
12"	BGASM12RE	40.18	28.19	16.56	5.79	35.8	\$664.53	\$431.94
14"	BGASM14RE	47.50	33.50	17.88	6.68	41.8	\$682.68	\$443.74
16"	BGASM16RE	53.50	37.50	19.88	6.68	47.8	\$726.12	\$471.98
18"	BGASM18RE	59.50	41.50	21.88	6.68	53.8	\$788.30	\$512.40
20"	BGASM20RE	65.50	45.50	23.88	6.68	59.8	\$865.06	\$562.29
22"	BGASM22RE	71.50	49.50	25.88	6.68	65.8	\$930.47	\$604.81

UHMW Galvanized Sealed Blast Gate



- Very low leakage
- Self cleaning for dust & fumes
- Galvanized construction with rolled ends
- Internal UHMW "ultra high molecular weight" seals



STAINLESS STEEL AIR SEAL

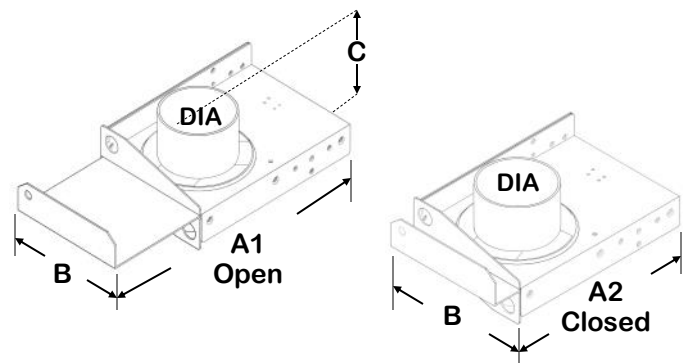
MANUAL BLAST GATE W/ UHMW SEALS

DIA	PART #	A1 INCH	A2 INCH	B INCH	C INCH	WT. SS 304	REG. PRICE	35% OFF
3"	BGASM03RESS	14.56	9.68	6.00	5.86	4.8	\$770.04	\$500.53
4"	BGASM04RESS	15.43	11.31	7.00	5.83	6.2	\$770.04	\$500.53
5"	BGASM05RESS	18.31	11.37	7.93	5.84	7.8	\$814.09	\$529.16
6"	BGASM06RESS	21.43	15.31	8.93	5.94	9.4	\$836.11	\$543.47
7"	BGASM07RESS	23.43	15.31	9.00	5.68	15.0	\$897.58	\$583.43
8"	BGASM08RESS	29.06	19.94	10.87	6.06	14.0	\$928.31	\$603.40
9"	BGASM09RESS	31.06	21.00	12.00	5.68	28.0	\$985.67	\$540.69
10"	BGASM10RESS	33.06	23.68	14.62	5.79	27.0	\$1,100.01	\$715.01
12"	BGASM12RESS	40.18	28.19	16.56	5.79	35.8	\$1,139.58	\$740.73
14"	BGASM14RESS	47.50	33.50	17.88	6.68	41.8	\$1,171.31	\$761.35
16"	BGASM16RESS	53.50	37.50	19.88	6.68	47.8	\$1,228.03	\$798.22
18"	BGASM18RESS	59.50	41.50	21.88	6.68	53.8	\$1,262.98	\$820.94
20"	BGASM20RESS	65.50	45.50	23.88	6.68	59.8	\$1,402.47	\$911.61
22"	BGASM22RESS	71.50	49.50	25.88	6.68	65.8	\$1,511.80	\$982.67

UHMW Stainless Sealed Blast Gate



- Very low leakage
- Self cleaning for dust & fumes
- 304 Stainless with rolled ends
- Internal UHMW "ultra high molecular weight" seals



AUTOMATIC DIE CAST ALUMINUM PNEUMATIC BLAST GATE

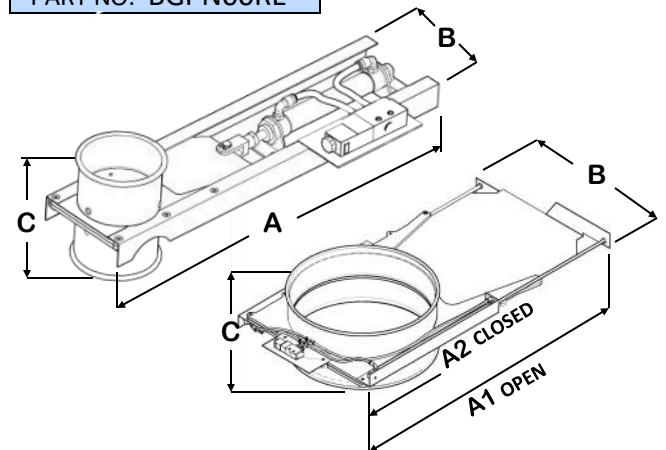
DIA	PART #	SINGLE CYLINDER			DOUBLE CYLINDER				WT.	REG PRICE	35% OFF
		A INCH	B INCH	C INCH	A1 INCH	A2 INCH	B INCH	C INCH			
3"	BGPN03RE	18.81	3.80	6.18	-	-	-	-	3.8	\$680.46	\$442.30
4"	BGPN04RE	21.76	4.11	5.66	-	-	-	-	4.8	\$680.46	\$442.30
5"	BGPN05RE	25.28	5.09	5.17	-	-	-	-	5.2	\$693.99	\$451.09
6"	BGPN06RE	27.81	6.10	5.70	-	-	-	-	7.0	\$693.99	\$451.09
7"	BGPN07RE	31.53	7.10	5.06	-	-	-	-	8.2	\$748.44	\$486.49
8"	BGPN08RE	-	-	-	22.50	13.50	11.60	5.82	8.5	\$816.42	\$530.67
9"	BGPN09RE	-	-	-	24.50	14.38	12.60	5.33	8.5	\$850.63	\$552.91
10"	BGPN10RE	-	-	-	27.60	15.38	13.37	5.99	10.5	\$850.63	\$552.91
12"	BGPN12RE	-	-	-	30.57	17.31	13.26	6.03	13.7	\$884.62	\$575.00
14"	BGPN14RE	-	-	-	35.49	20.00	17.99	6.26	15.8	\$986.70	\$641.36
16"	BGPN16RE	-	-	-	39.79	22.25	20.11	5.97	17.9	\$1,102.20	\$716.43
18"	BGPN18RE	-	-	-	42.13	24.13	21.98	9.04	20.1	\$1,224.74	\$796.08
20"	BGPN20RE	-	-	-	44.93	24.93	24.40	9.16	22.3	\$1,320.00	\$858.00
22"	BGPN22RE	-	-	-	49.10	27.10	27.00	9.11	24.5	\$1,442.43	\$937.58
24"	BGPN24RE	-	-	-	53.17	29.17	29.20	9.15	26.7	\$1,605.78	\$1,043.76

Stainless Steel Available
All cylinders have internal magnets

Automatic Die Cast Aluminum Pneumatic



- Cast aluminum body w/ galv. slide blade, rolled edges
- Operated by 90-100 P.S.I. compressed air
- 120VAC or 240VDC electric coil, please specify
- Designed for dust & fumes
- Single cylinders 3" to 7". Double cylinder (compact series) 8" to 24"



AUTOMATIC GALVANIZED AIR SEAL PNEUMATIC

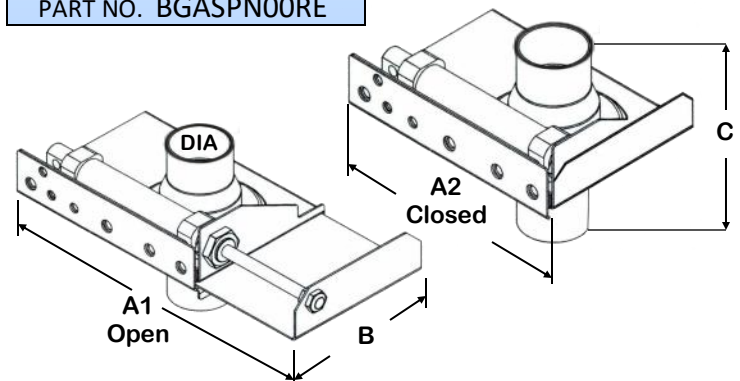
DIA	PART #	CYL	A1 INCH	A2 INCH	B INCH	C INCH	WT.	REG PRICE	35% OFF
3"	BGASPN03RE	1	14.57	10.32	6.00	5.86	4.8	\$978.89	\$636.28
4"	BGASPN04RE	1	15.45	10.32	7.00	5.83	6.2	\$978.89	\$636.28
5"	BGASPN05RE	1	18.32	12.32	7.94	5.84	7.8	\$1,027.84	\$668.10
6"	BGASPN06RE	1	21.43	14.25	8.94	5.94	7.8	\$1,027.84	\$668.10
7"	BGASPN07RE	1	29.07	18.13	10.88	5.68	9.4	\$1,052.37	\$684.04
8"	BGASPN08RE	1	29.07	18.13	10.88	6.06	14.0	\$1,052.37	\$684.04
10"	BGASPN10RE	2	32.07	22.13	14.63	5.79	27.0	\$1,131.90	\$735.74
12"	BGASPN12RE	2	40.18	27.18	16.56	5.79	35.8	\$1,162.48	\$755.61
14"	BGASPN14RE	2	47.50	33.50	17.88	6.68	41.8	\$1,297.01	\$843.06
16"	BGASPN16RE	2	53.50	37.50	19.88	6.68	27.8	\$1,468.39	\$954.45
18"	BGASPN18RE	2	59.50	41.50	21.88	6.68	53.8	\$1,578.50	\$1,026.03
20"	BGASPN20RE	2	65.50	45.50	23.88	6.68	59.8	\$1,713.14	\$1,113.54
22"	BGASPN22RE	2	71.50	49.50	25.88	6.68	65.8	\$1,774.30	\$1,153.30
24"	BGASPN24RE	2	77.50	53.50	27.88	6.68	71.8	\$1,859.22	\$1,208.49

Stainless steel available
All cylinders have internal magnets

Automatic Galv. Pneumatic Blast Gate



- UHMW (Ultra High Molecular Weight) seals
- Very low leakage
- Designed for dust & fumes
- 120VAC or 24VDC valve/coil. Please specify
- Single cylinder 3" to 7" Double cylinder 8" to 24"
- All galv. w/ rolled edges



REED SWITCH W/MOUNTING STRAP

PART #	PRICE (SET OF 2)	35% OFF PRICE
BGRS02	\$93.50	\$60.78

- Senses when blast Gate is open/closed
- Used with all automatic Blast Gates

T-7 MULTIPURPOSE

DIA.	PART #	WT. PER FT.	PRICE PER FT
2"	HT702	0.2	\$3.95
2.5"	HT72.5	0.3	\$5.28
3"	HT703	0.3	\$5.88
3.5"	HT73.5	0.4	\$7.20
4"	HT704	0.5	\$7.62
5"	HT705	0.6	\$8.08
6"	HT706	0.9	\$8.91
7"	HT707	1.0	\$10.18
8"	HT708	1.0	\$11.48
10"	HT710	1.6	\$15.92
12"	HT712	2.0	\$19.05
PRICED PER FOOT			

Black Rubber Hose


PART NO. HT700

- Black thermoplastic rubber flexible hose w/ steel helix
- Dust, materials, fumes
- Sold in 5' increments
- Use CTHA hose adapter with this hose (see page 12)
- Larger diameter hose is available

Standard Hose Clamp - Stainless


PART NO. HC00

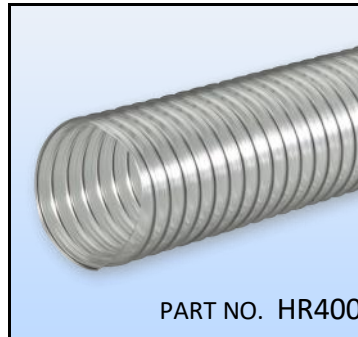
- All stainless steel construction

STAINLESS HOSE CLAMP

DIA.	PART #	WT.	PRICE
2"	HC02	0.05	\$2.18
2.5"	HC2.5	0.06	\$2.18
3"	HC03	0.06	\$2.18
4"	HC04	0.07	\$3.52
5"	HC05	0.08	\$4.37
6"	HC06	0.09	\$5.23
7"	HC07	0.10	\$6.55
8"	HC08	0.14	\$6.55
9"	HC09	0.15	\$8.90
10"	HC10	0.17	\$7.42
12"	HC12	0.20	\$10.69

R-4 FLEXHOSE

DIA.	PART #	WT. PER FT.	PRICE PER FT
2"	HR402	0.2	\$3.95
2.5"	HR402.5	0.3	\$5.44
3"	HR403	0.3	\$6.06
4"	HR404	0.5	\$6.93
5"	HR405	0.6	\$7.77
6"	HR406	0.9	\$8.12
7"	HR407	1.0	\$10.11
8"	HR408	1.0	\$11.33
10"	HR410	1.6	\$14.35
12"	HR412	2.0	\$17.41
PRICED PER FOOT			

Clear PVC Hose


PART NO. HR400

- Clear FDA approved flexible PVC hose w/ steel helix
- Dust, materials, fumes
- Sold in 5' increments
- Use CTHA hose adapter with this hose (see page 12)

Bridge Clamp - Stainless


PART NO. BC00

- Conforms over wire helix for a more secure fit
- All stainless steel

ATEX POLYFLEX 30

DIA.	PART #	WT. PER FT.	REG. PRICE
2"	HATEX3002	0.3	\$7.70
2.5"	HATEX3002.5	0.4	\$8.98
3"	HATEX3003	0.5	\$9.01
4"	HATEX3004	0.8	\$11.36
5"	HATEX3005	1.0	\$13.60
6"	HATEX3006	1.5	\$16.79
7"	HATEX3007	1.5	\$17.16
8"	HATEX3008	2.0	\$17.16
10"	HATEX3010	2.0	\$26.87
12"	HATEX3012	3.0	\$26.48
14"	HATEX3014	3.5	\$33.74
16"	HATEX3016	4.0	\$42.26
18"	HATEX3018	5.0	\$51.73
PRICED PER FOOT			

Clear & Red Polyurethane


PART NO. HATEX3000

- ATEX Certified for combustible dusts (wood dust, powders, plastics)
- Anti-static $10^9 \Omega$, Fire Retardant
- Highly abrasive resistant polyurethane. Spring Steel Helix
- Replaces standard urethane, PVC & thermo-plastic hoses.
- Temp -25° F to 225° F., Wall .031
- Bridge clamp recommended : BC-XX

BRIDGE HOSE CLAMP

DIA.	PART #	WT.	PRICE
2"	BC02	0.2	\$4.80
2.5"	BC2.5	0.3	\$5.20
3"	BC03	0.3	\$5.20
3.5"	BC3.5	0.4	\$5.68
4"	BC04	0.5	\$5.68
5"	BC05	0.6	\$6.23
6"	BC06	0.7	\$7.75
7"	BC07	0.9	\$8.80
8"	BC08	1.0	\$9.52
10"	BC10	1.0	\$11.20
12"	BC12	1.2	\$16.15

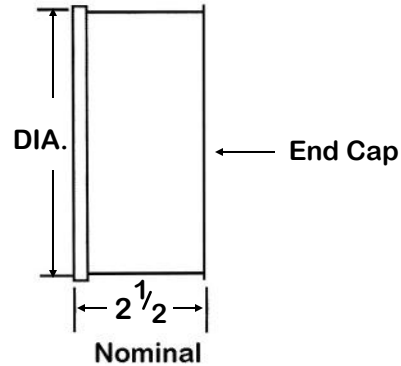
END CAP

DIA.	PART #	GA.	WT.	REG. PRICE	35% OFF
3"	CTEC03	18	0.3	\$18.15	\$11.80
4"	CTEC04	22	0.4	\$18.15	\$11.80
5"	CTEC05	22	0.5	\$19.58	\$12.73
6"	CTEC06	22	0.7	\$22.11	\$14.37
7"	CTEC07	22	0.9	\$24.86	\$16.16
8"	CTEC08	22	1.1	\$26.29	\$17.09
9"	CTEC09	22	1.4	\$28.71	\$18.66
10"	CTEC10	22	1.7	\$30.03	\$19.52
11"	CTEC11	22	1.9	\$31.68	\$20.59
12"	CTEC12	22	2.1	\$31.68	\$20.59
14"	CTEC14	20	3.1	\$33.77	\$21.95
16"	CTEC16	20	4.0	\$35.53	\$23.09
18"	CTEC18	20	4.9	\$37.73	\$24.52
20"	CTEC20	20	5.5	\$40.15	\$26.10
22"	CTEC22	20	6.3	\$41.36	\$26.88
24"	CTEC24	20	7.9	\$47.85	\$31.10

End Cap



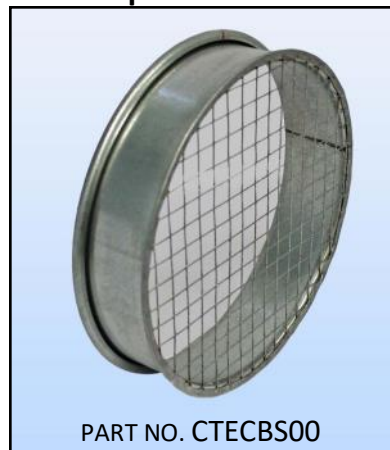
- End Caps enable users to close off taps for future use
- End Caps larger than 24" will be a flat plate and angle rings. Call for pricing



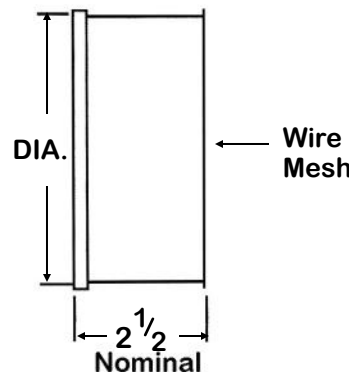
END CAP WITH BIRD SCREEN

DIA.	PART #	GA.	WT.	REG. PRICE	35% OFF
3"	CTECBS03	18	0.3	\$45.87	\$29.82
4"	CTECBS04	22	0.3	\$45.87	\$29.82
5"	CTECBS05	22	0.4	\$47.85	\$31.10
6"	CTECBS06	22	0.5	\$49.61	\$32.25
7"	CTECBS07	22	0.6	\$53.02	\$34.46
8"	CTECBS08	22	0.7	\$54.34	\$35.32
9"	CTECBS09	22	0.8	\$56.76	\$36.89
10"	CTECBS10	22	0.9	\$57.97	\$37.68
11"	CTECBS11	22	1.0	\$59.84	\$38.90
12"	CTECBS12	22	1.0	\$59.84	\$38.90
14"	CTECBS14	20	1.3	\$61.71	\$40.11
16"	CTECBS16	20	1.5	\$63.25	\$41.11
18"	CTECBS18	20	1.8	\$65.89	\$42.83
20"	CTECBS20	20	1.9	\$67.98	\$44.19
22"	CTECBS22	20	2.1	\$69.41	\$45.12
24"	CTECBS24	20	2.9	\$79.64	\$51.77

End Cap With Bird Screen

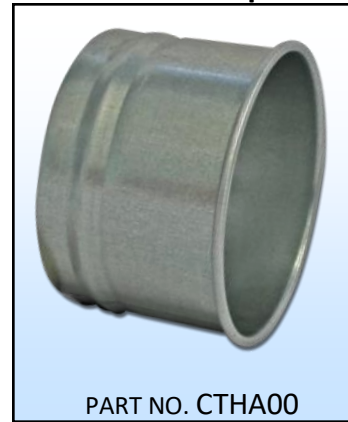


- End Caps with bird screen 1/2" wire mesh
- End Caps larger than 24" will have expanded metal. Call for pricing

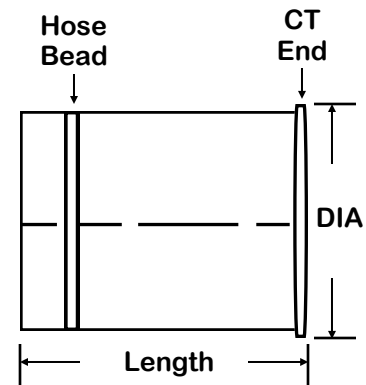


HOSE ADAPTER

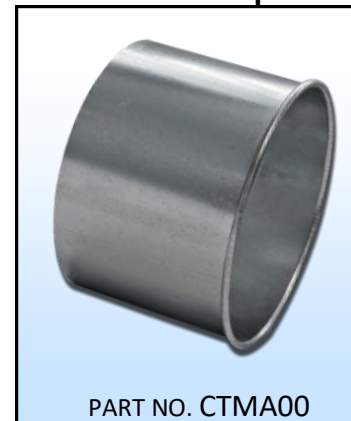
DIA	PART #	APPROX. LENGTH	GA.	WT.	REG. PRICE	35% OFF
3"	CTHA03	5.5	22	0.6	\$26.51	\$17.23
4"	CTHA04	4.0	22	0.8	\$26.51	\$17.23
5"	CTHA05	4.0	22	1.0	\$29.59	\$19.23
6"	CTHA06	4.0	22	1.1	\$34.76	\$22.59
7"	CTHA07	4.0	22	1.3	\$37.51	\$24.38
8"	CTHA08	4.0	22	1.5	\$40.15	\$26.11
9"	CTHA09	4.0	22	1.7	\$42.46	\$27.60
10"	CTHA10	4.0	22	2.0	\$45.10	\$29.32
11"	CTHA11	4.0	22	2.1	\$48.29	\$31.39
12"	CTHA12	4.0	22	2.3	\$48.29	\$31.39
14"	CTHA14	5.5	20	2.7	\$50.93	\$33.10
16"	CTHA16	5.5	20	3.2	\$53.35	\$34.68
18"	CTHA18	5.5	20	3.5	\$58.85	\$38.25
20"	CTHA20	5.5	20	4.0	\$60.72	\$39.47
22"	CTHA22	5.5	20	4.3	\$66.88	\$43.47
24"	CTHA24	5.5	20	5.6	\$76.78	\$49.91

Hose Adapter


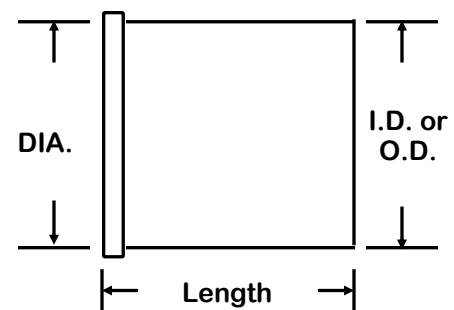
- Used to connect flex hose
- Not designed for use with metal flex hose


MACHINE ADAPTER

DIA	PART #	RAW ID	RAW OD	GA.	WT.	REG. PRICE	35% OFF
3"	CTMA03	2.90"	3.00"	22	0.6	\$26.18	\$17.02
4"	CTMA04	3.86"	3.93"	22	0.8	\$26.18	\$17.02
5"	CTMA05	4.87"	4.94"	22	1.0	\$29.04	\$18.88
6"	CTMA06	5.89"	5.96"	22	1.1	\$34.10	\$22.17
7"	CTMA07	6.89"	6.96"	22	1.4	\$36.52	\$23.74
8"	CTMA08	7.88"	7.95"	22	1.5	\$39.38	\$25.60
9"	CTMA09	8.88"	8.95"	22	1.8	\$41.69	\$27.10
10"	CTMA10	9.89"	9.95"	22	2.0	\$44.44	\$28.89
11"	CTMA11	10.88"	10.94"	22	2.1	\$47.30	\$30.75
12"	CTMA12	11.97"	12.04"	22	2.3	\$47.30	\$30.75
14"	CTMA14	13.96"	14.04"	20	2.7	\$50.05	\$32.53
16"	CTMA16	15.97"	16.04"	20	3.2	\$52.36	\$34.03
18"	CTMA18	17.96"	18.04"	20	3.5	\$57.75	\$37.54
20"	CTMA20	19.96"	20.04"	20	3.9	\$59.73	\$38.82
22"	CTMA22	21.97"	22.05"	20	4.3	\$65.56	\$42.61
24"	CTMA24	23.94"	24.02"	20	5.6	\$75.57	\$49.12

Machine Adapter


- Standard style is one end raw, Other end is rolled
- Approx. lengths 4" - 5.5"
- Please specify I.D. or O.D.
- Size required

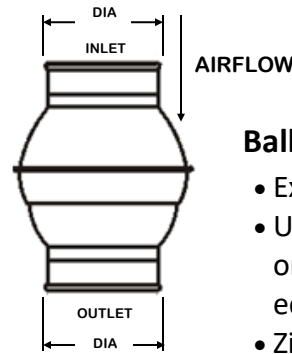


BALL JOINTS

SIZE	PART #	LENGTH	WT	REG. PRICE	35% OFF
3"	CTBJ03	8.87	1.0	\$209.46	\$136.15
4"	CTBJ04	9.50	2.1	\$219.12	\$142.43
5"	CTBJ05	11.00	3.2	\$247.93	\$161.15
6"	CTBJ06	11.75	3.9	\$276.87	\$179.97
7"	CTBJ07	11.37	4.0	\$322.84	\$209.85
8"	CTBJ08	14.00	5.0	\$368.83	\$239.74
9"	CTBJ09	14.37	6.0	\$425.95	\$276.87
10"	CTBJ10	14.25	9.0	\$484.33	\$314.81
12"	CTBJ12	15.25	9.3	\$541.97	\$352.28

CT = CLAMP TOGETHER WT= LBS

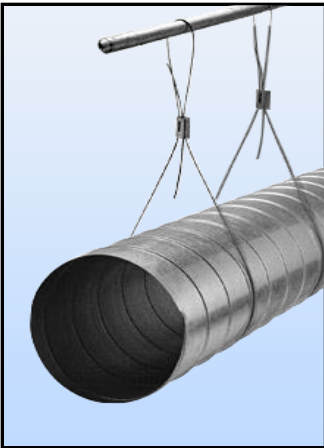
Ball Joints



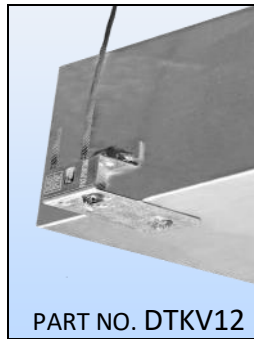
Ball Joints

- Extends life of Flex hose
- Used on CNC machines or other articulating equipment
- Zinc plated

CABLE DUCT HANGER



KV BRACKET



- KV Bracket must be hung at a 90 degree angle to the suspension point
- Used for hanging rectangular duct

PART #	MAX LOAD	PRICE 10 CT
DTKV12	150 LBS	\$38.22

CABLE LOCKS



PART #	MAX LOAD	PAIRS W/ WIRE SIZE	PRICE 10 CT
DTCL12	150 LBS	3/32"	\$30.26
DTCL18	250 LBS	1/8"	\$47.69
DTCL23	640 LBS	3/16"	\$68.99

LOOPED CABLE



- Sold as a kit with a cable lock
- 15 ft long

PART #	MAX LOAD	LOCK	PRICE 1 PACK
DTLCK33215E	25-150 LBS	CL12	\$10.23
DTLCK1815	25-250 LBS	CL18	\$13.29

CABLE



- Aviation grade galvanized wire rope

DIA	PART #	FT/ROLL	PRICE
3/32	DTWR332500	500 FT	\$84.69
1/8	DTWR18500	500 FT	\$94.96
3/16	DTWR316250	250 FT	\$84.60

CABLE CUTTER



PART #	DISC. PRICE
DTWRC	\$70.77

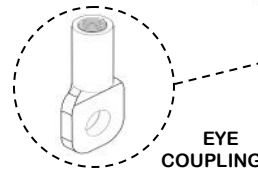
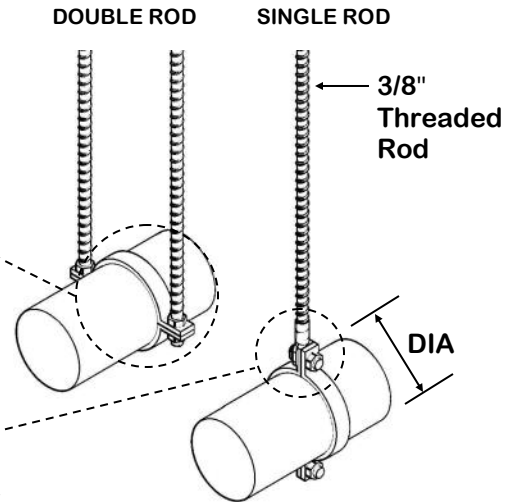
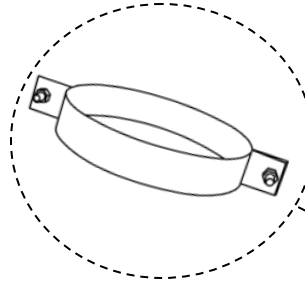
- Spring loaded for ease of use and safety

PIPE HANGER

DIA	PART #	WT.	REG. PRICE	35% OFF
3"	HR03	0.4	\$7.63	\$5.65
4"	HR04	0.5	\$7.63	\$5.65
5"	HR05	0.5	\$9.65	\$7.15
6"	HR06	0.5	\$9.65	\$7.15
7"	HR07	0.6	\$9.65	\$7.15
8"	HR08	0.7	\$11.58	\$8.58
9"	HR09	0.8	\$14.38	\$10.65
10"	HR10	0.9	\$15.05	\$11.15
11"	HR11	1.0	\$16.79	\$12.44
12"	HR12	1.0	\$16.79	\$12.44
14"	HR14	1.2	\$19.12	\$14.16
16"	HR16	1.4	\$24.81	\$18.38
18"	HR18	1.5	\$26.35	\$19.52
20"	HR20	1.8	\$28.86	\$21.38
22"	HR22	6.0	\$35.52	\$26.31
24"	HR24	6.0	\$40.64	\$30.10

Pipe Hanger

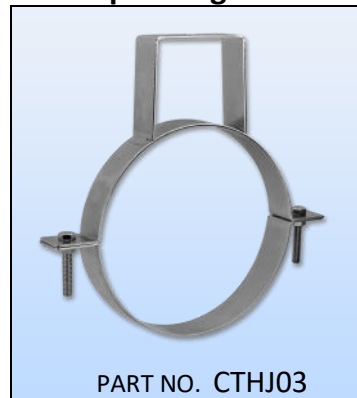

- 1 1/2" Wide 14 gauge galvanized construction
- Can be used as a single or double rod hanger


EYE COUPLING

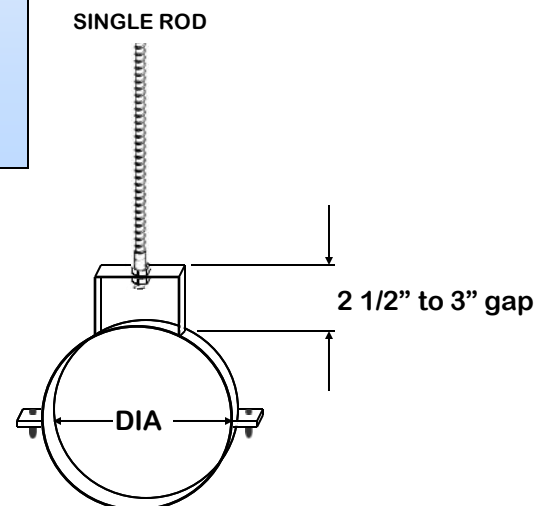
DIA	PART #	WT.	REG. PRICE	35% OFF
3/8"	TREC38E	0.2	\$2.16	\$1.60

PIPE HANGER HJ

DIA	PART #	WT.	REG. PRICE	35% OFF
3"	CTHJ03	0.4	\$17.27	\$11.23
4"	CTHJ04	0.5	\$17.27	\$11.23
5"	CTHJ05	0.6	\$19.36	\$12.59
6"	CTHJ06	0.7	\$21.89	\$14.23
7"	CTHJ07	0.8	\$21.89	\$14.23
8"	CTHJ08	0.9	\$26.18	\$17.02
9"	CTHJ09	1.1	\$32.34	\$21.02
10"	CTHJ10	1.1	\$34.43	\$22.38
11"	CTHJ11	1.3	\$38.17	\$24.82
12"	CTHJ12	1.4	\$38.17	\$24.82
13"	CTHJ13	1.6	\$43.56	\$28.32
14"	CTHJ14	1.8	\$43.56	\$28.32
16"	CTHJ16	2.2	\$59.84	\$38.90
18"	CTHJ18	2.8	\$62.26	\$40.47
20"	CTHJ20	3.4	\$65.78	\$42.76
22"	CTHJ22	4.1	\$80.74	\$52.49
24"	CTHJ24	5.0	\$92.95	\$60.42

Pipe Hanger HJ


- 3" to 24", 14 gauge galvanized construction
- Bolts are supplied with hanger

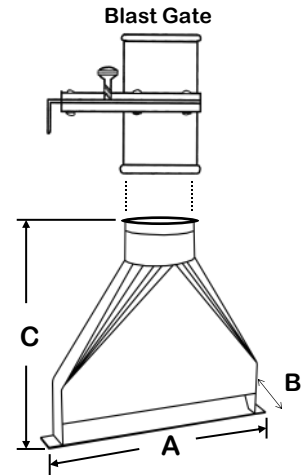


FLOOR SWEEPS - HEAVY DUTY INDUSTRIAL

SIZE	PART #	ENDS	A INCH	B INCH	C INCH	WT.	REG. PRICE	35% OFF
4"	CTFS04	CT	12	1.5	18	6.9	\$242.44	\$157.59
5"	CTFS05	CT	16	1.5	18	7.3	\$254.65	\$165.52
6"	CTFS06	CT	16	1.5	18	7.6	\$266.53	\$173.24

Floor Sweeps

- Quick and effective floor cleaning
- Blast Gate required to close Floor Sweep
- Blast Gate sold separately

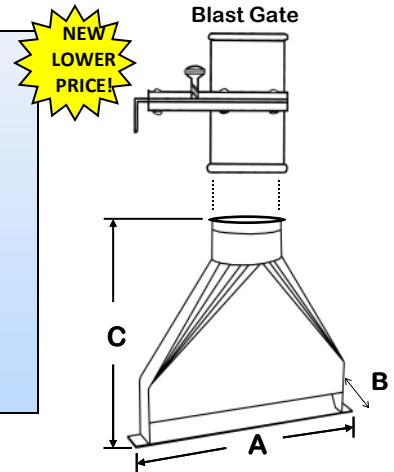


FLOOR SWEEPS - LIGHT DUTY

DIA	PART #	A INCH	B INCH	C INCH	WT.	REG. PRICE	35% OFF
4"	CTFS0424	14	1.5	10.0	1.6	\$159.92	\$103.95
5"	CTFS0524	16	1.5	10.0	1.8	\$171.26	\$111.32
6"	CTFS0624	20	1.5	10.2	2.3	\$174.65	\$113.52

Floor Sweeps

- Quick and effective floor cleaning
- Blast Gate required to close Floor Sweep
- Blast Gate sold separately

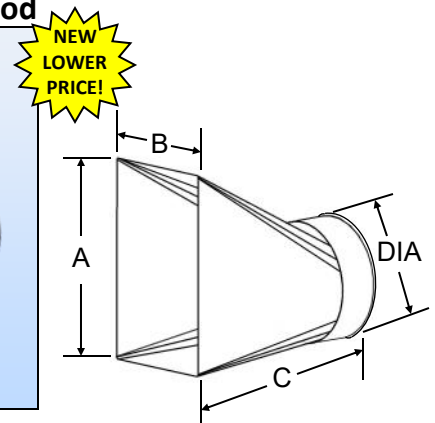
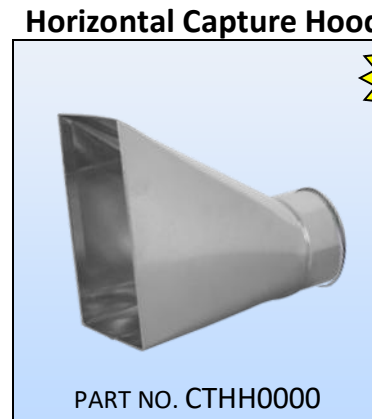


HORIZONTAL CAPTURE HOOD

DIA	PART #	A INCH	B INCH	C INCH	WT.	REG. PRICE	35% OFF
3"	CTHH363	6	3	11.5	1.0	\$122.69	\$79.75
4"	CTHH484	8	4	10.0	1.0	\$125.84	\$81.80
5"	CTHH5105	10	5	12.3	1.8	\$143.00	\$92.95
6"	CTHH6106	10	6	11.5	2.0	\$162.06	\$105.34

Horizontal Capture Hood

- Great for capturing saw dust or fumes
- Effective in any position
- 24 ga. Galvanized steel construction
- New lower price



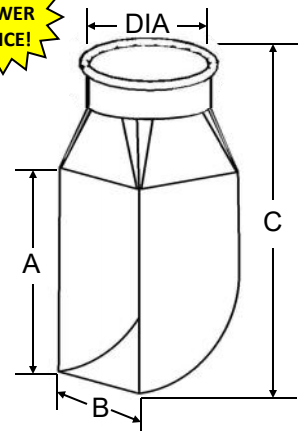
VERTICAL CAPTURE HOOD

DIA	PART #	A INCH	B INCH	C INCH	WT.	REG. PRICE	35% OFF
4"	CTHV484	8	4	12.2	1.1	\$139.12	\$90.43
5"	CTHV5105	10	5	14.2	1.5	\$146.80	\$95.42

Vertical Capture Hood



NEW LOWER PRICE!



Vertical Capture Hood

- Great for capturing saw dust or fumes
- Effective in any position
- 24 ga. Galvanized steel construction
- New lower price

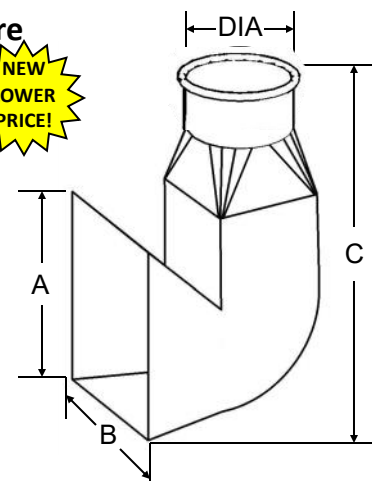
VERTICAL CAPTURE HOOD WITH FRONT FLARE

DIA	PART #	A INCH	B INCH	C INCH	WT.	REG. PRICE	35% OFF PRICE
4"	CTHVFF04	7	6	11.0	2.0	\$264.34	\$171.82

Vertical Hood w/ Front Flare



NEW LOWER PRICE!



Vertical Capture Hood W/ Front Flare

- Great for capturing dust from surface grinders or radial arm saws
- Effective in any position
- 24 ga. Galvanized steel construction
- New lower price

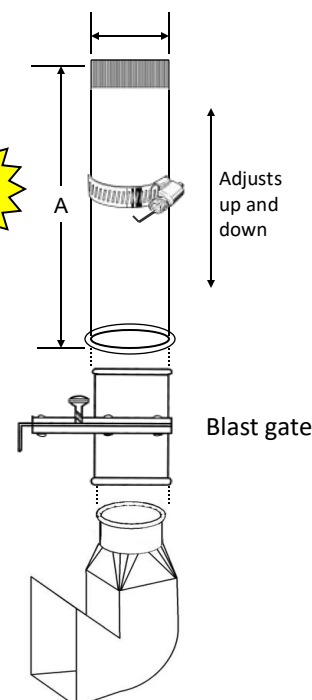
TELESCOPING JOINT

DIA	PART #	A INCH	WT.	REG. PRICE	35% OFF
4"	CTTJ04	20	3.0	\$144.69	\$94.05
5"	CTTJ05	20	4.0	\$161.61	\$105.05

Telescoping Joint



NEW LOWER PRICE!



Telescoping Joint

- Used for adjusting any 4" or 5" hood in position to capture dust or fumes
- One end I.D. and the other CT
- Blast gate sold separately. See page 7
- Hood sold separately

NRV

DIA	PART #	A	B	C	D	E	F	G	H	I	WT. LBS.	PRICE
7"	EM-NRV07	14.1	13.3	21.6	13.3	11.8	7.0	6.6	-	-	45.0	
8"	EM-NRV08	14.1	13.3	21.6	13.3	11.8	7.0	6.6	-	-	45.0	
10"	EM-NRV10	16.1	15.3	23.6	15.3	12.7	8.0	7.6	-	-	56.0	
12"	EM-NRV12	18.1	17.3	26.3	23.6	13.7	9.0	8.6	-	4.5	84.0	
14"	EM-NRV14	20.0	19.2	28.3	25.5	14.7	10.0	9.6	-	4.5	100.0	
16"	EM-NRV16	22.0	23.2	30.3	29.5	15.7	11.0	10.6	13.7	6.4	120.0	CALL
18"	EM-NRV18	24.0	25.1	32.2	33.2	16.7	12.0	11.6	15.7	8.4	150.0	FOR
20"	EM-NRV20	25.9	27.1	34.2	38.7	17.7	12.9	12.5	18.1	12.4	177.0	PRICING
22"	EM-NRV22	27.9	29.1	36.2	37.4	18.7	13.9	12.5	19.6	8.4	221.0	
24"	EM-NRV24	29.9	31.1	38.1	41.1	19.6	14.9	14.5	21.6	10.4	254.0	
26"	EM-NRV26	31.8	33.0	40.1	45.0	20.6	15.9	15.5	23.8	12.4	276.0	
28"	EM-NRV28	33.8	35.0	42.1	47.0	21.6	16.9	16.5	25.5	12.4	298.0	
32"	EM-NRV32	38.5	40.1	52.3	56.4	25.9	25.9	18.8	28.1	14.1	728.0	
36"	EM-NRV36	42.5	44.5	56.2	60.4	27.9	27.9	20.8	27.9	14.1	860.0	
40"	EM-NRV40	46.1	48.0	60.2	64.3	29.9	29.9	22.8	35.8	14.1	999.0	
NRV PRESSURE DROP FOR SIZES 7" TO 14" IS 0.39 / SIZES 16" TO 28" IS 0.63												
NRV PRESSURE DROP FOR SIZES 32" TO 40" IS 0.63												

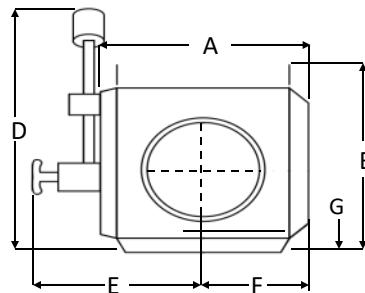
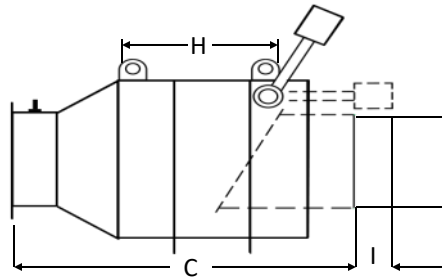


PART NO. EM-NRV00



No Return Valve

- ATEX Certified
- Used to eliminate blast "front" from returning to the building.
- Protects workers and facilities from the damaging effect of a baghouse or filter explosion.
- Flanged inlet and outlet with co-flanges
- Inspection/access door
- Grounding lug
- Locking mechanism
- Please call for spark detection system pricing and information



ATEX POLYFLEX 30



See pages 10 & 19



NRV ACCESSORIES

With the following options the NRV is 100% NFPA 69-2014 Compliant:		PRICE
EM-NRV-MS:	Micro-switch for system shut down	CALL
EM-NRV-DLS:	Dust level sensor	FOR
EM-NRV-CP:	Control panel for sensor power and integration	PRICING



PART NO. EM-NRV-CP



Dust Level Sensor



Microswitch



Control Panel - Open

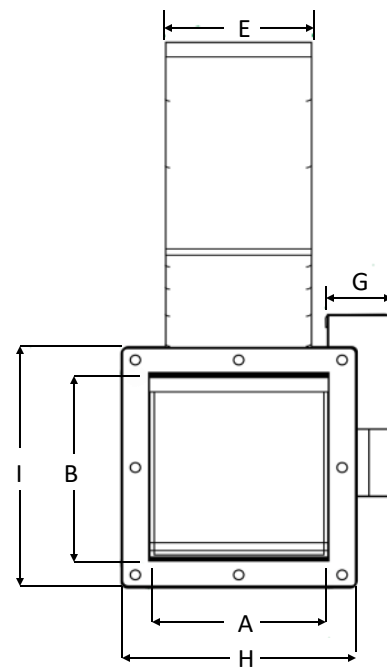
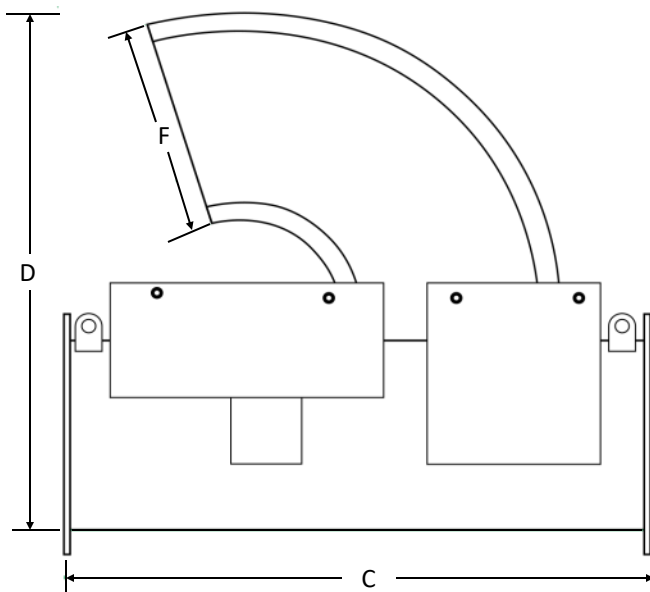
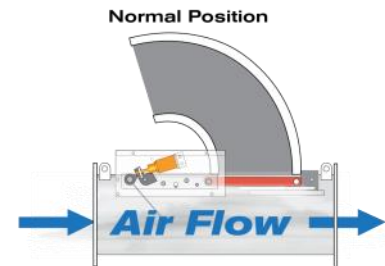
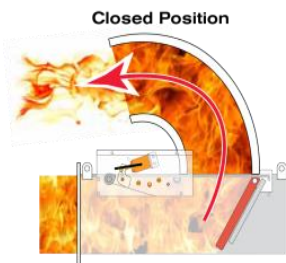
HIGH SPEED ABORT GATE

PART #	A	B	C	D	E	F	G	H	I	WT. LBS	PRICE
EM-HSAG08	7.9	8.7	27.1	23.7	6.4	9.4	5.1	10.2	11.0	51.0	
EM-HSAG12	11.4	11.8	31.8	30.6	9.9	13.2	5.1	13.8	14.2	89.0	
EM-HSAG18P	16.9	17.7	37.3	43.1	15.4	19.7	5.1	19.3	20.1	166.0	CALL FOR PRICING
EM-HSAG24P	21.7	22.8	43.3	54.3	20.2	25.8	5.1	24.8	26.0	265.0	
EM-HSAG28P	26.0	27.2	48.4	63.8	24.5	30.9	5.1	29.9	31.1	375.0	
EM-HSAG34P	31.1	32.3	54.1	74.7	29.6	36.7	5.1	34.1	36.2	563.0	
EM-HSAG40P	35.0	36.2	58.7	83.2	33.5	41.3	5.1	39.0	40.9	662.0	
EM-HSAG44P	39.8	40.9	64.3	93.5	38.3	46.9	5.1	44.5	45.7	805.0	
EM-HSAG50P	44.1	45.3	69.4	103.0	42.6	52.0	5.1	48.8	50.0	926.0	
FLANGED INLET/OULET - 24VDC MAGNET											

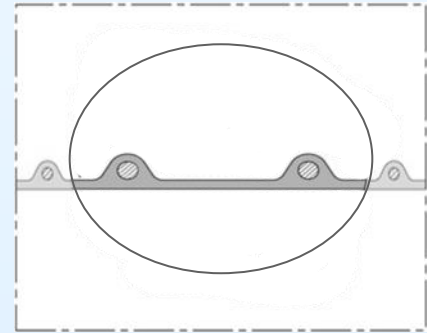
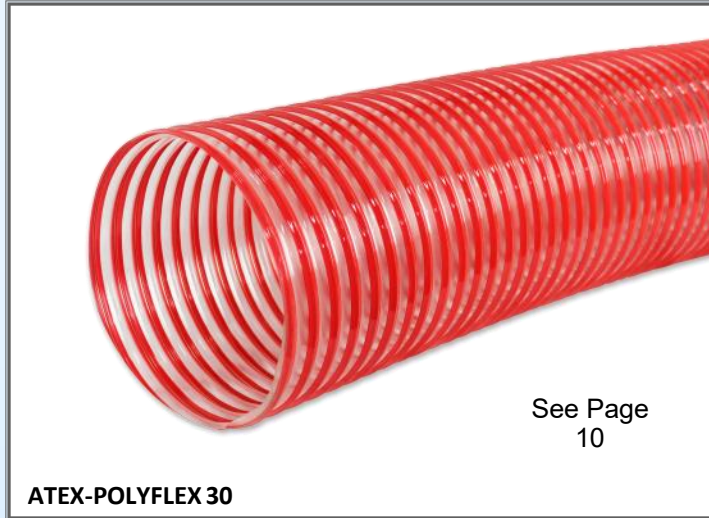


High Speed Abort Gate

- 24v control panel with status lights for connection to spark detection
- Optional Weather hood
- Manual rearm (sizes 8" - 12")
- Pneumatic rearm (sizes 18" - 50")
- Triple security protection
- Epoxy powder coated safety red finish
- Flanged inlet & outlet
- NFPA compliant with spark detection control
- Please call for spark detection system pricing and information



ATEX-POLYFLEX HOSE



ATEX-POLYFLEX 30

- ATEX Certified for combustable dusts (wood dust, powders, plastics)
- Used with combustable dusts
- Anti-static $<10^9 \Omega$
- Fire retardant
- Highly abrasive resistant polyurethane
- Resistant to oils, gasoline, chemicals
- Flexible
- Replaces standard urethane, PVC and thermoplastic hoses
- Spring steel wire helix
- Temp -25°F to 225°F Wall .031

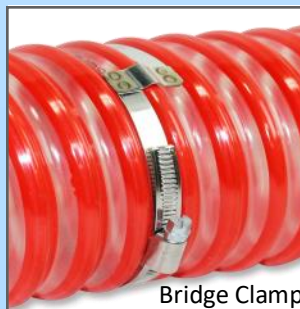
APPLICATIONS

- Woodworking machinery , CNC routers
- Powders, plastic pellets
- Explosion hazardous areas
- Recommended for use in systems using Isolation Valves and Abort Dampers

BRIDGE CLAMPS

Stainless Steel bridge clamp
Recommended. Part # BC00

Dia.	Reg. Price
2" - 12"	See Page 10



Dia.	Hose Part #	List Price Per Ft.	35% Off Per Ft.
2"	HATEX3002	\$11.04	\$7.70
2.5"	HATEX3002.5	\$12.86	\$8.89
3"	HATEX3003	\$12.60	\$9.01
4"	HATEX3004	\$15.89	\$11.36
5"	HATEX3005	\$19.02	\$13.60
6"	HATEX3006	\$23.48	\$16.79
7"	HATEX3007	\$24.00	\$17.16
8"	HATEX3008	\$24.30	\$17.16
10"	HATEX3010	\$33.94	\$24.27
12"	HATEX3012	\$37.58	\$26.87
14"	HATEX3014	\$47.18	\$33.74
16"	HATEX3016	\$59.11	\$42.26
18"	HATEX3018	\$72.35	\$51.73

Metric sizes available and in stock

5' increments up to 50'

ATEX POLYFLEX 30 METRIC SIZES

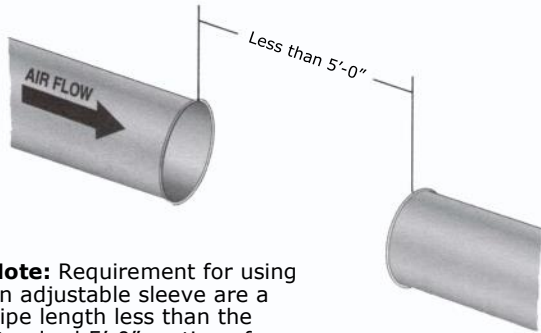
DIA. MM/INCHES	PART #	REG. PRICE	35% OFF PER FT.
60 MM/2.362"	HATEX30060MM	\$10.52	\$7.79
80 MM/3.149"	HATEX30080MM	\$12.46	\$9.23
100 MM/3.937"	HATEX300100MM	\$13.46	\$9.97
120MM/4.724"	HATEX300120MM	\$18.08	\$13.39
140MM/5.511"	HATEX300140MM	\$18.51	\$13.71
160MM/6.299"	HATEX300160MM	\$19.24	\$14.25

CLAMP-TOGETHER DUCT SYSTEMS

To Order - Call 1-877-904-4022 or email sales@blastgateco.com

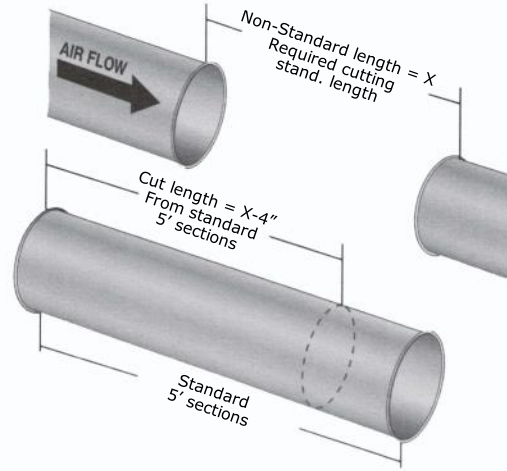
Instructions: Adjustable Sleeve w/ O-Ring

STEP #1

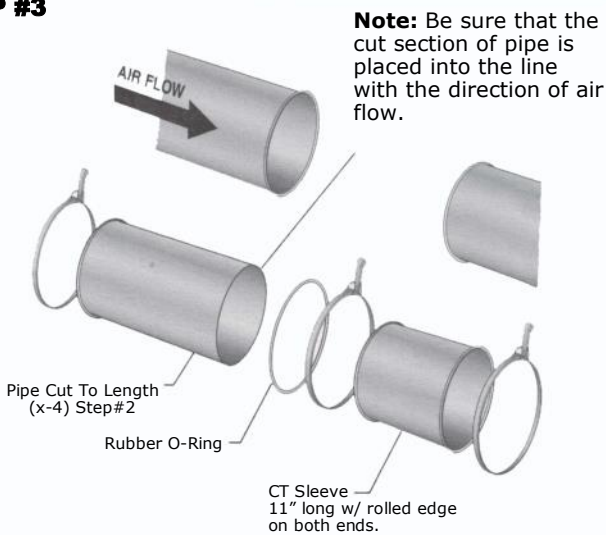


Note: Requirement for using an adjustable sleeve are a pipe length less than the standard 5'-0" section of pipe

STEP #2

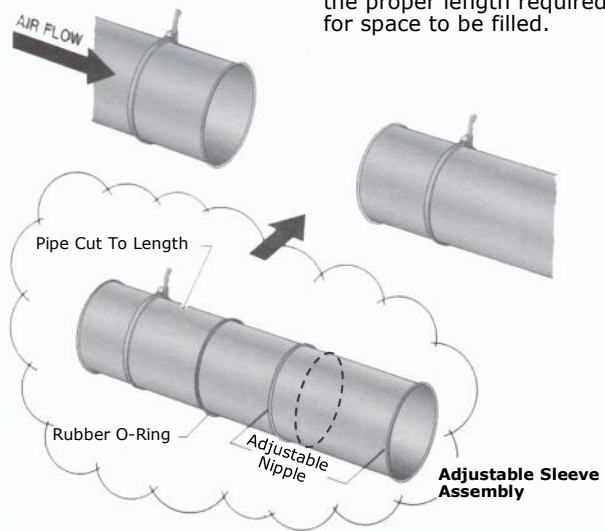


STEP #3



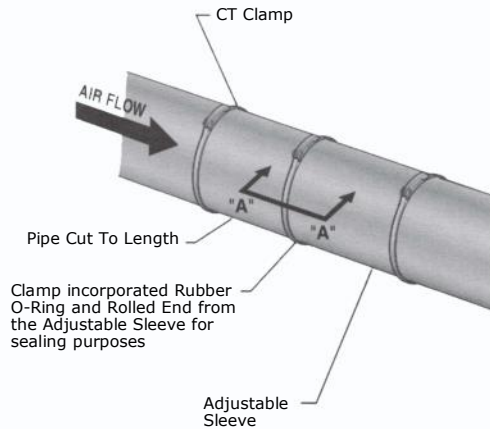
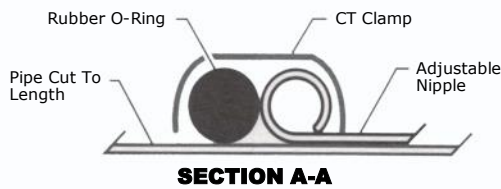
Note: Be sure that the cut section of pipe is placed into the line with the direction of air flow.

STEP #4



Note: Adjust the assembly to the proper length required for space to be filled.

STEP #5



THE BlastGate CO.

14219 EAST TEN MILE ROAD

WARREN, MI 48089-2162

1-877-904-4022 FAX: 586-776-8532

sales@blastgateco.com

